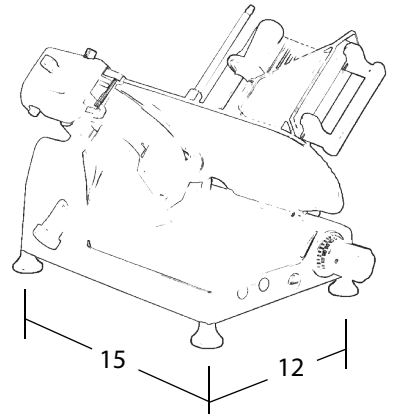




- Inextensible Poly-V belt driven transmission
- ON/OFF switches with LEDs
- Removable parts for cleaning : blade cover, product holder plate, aluminium meat grip, Stainless Steel slice deflector
- 45° inclined blade
- Removable integrated sharpener
- Finished by anodising treatment
- Transparent plexiglas protection at product holder plate
- High reliability of all components



Model	Blade ø inch	Drive	Hp	Volt	Cut Thickness inch	Slicing Capacity inch	lbs
VS25FN	10	Belt	0.25	120/60/1	0 - 0.55	<div style="display: inline-block; border: 1px solid black; width: 15px; height: 10px; margin-right: 10px;"></div> 8 x 5 <div style="display: inline-block; border: 1px solid black; width: 10px; height: 10px; border-radius: 50%; margin-left: 20px;"></div> 6.5	38

