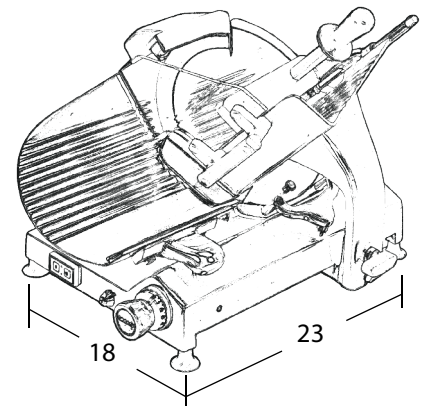




- Interlock on gauge plate
- Dual action sharpener
- GEAR driven transmission
- ON/OFF Switches with LED
- Removable parts for cleaning: blade cover, product holder plate, aluminium meat grip, Stainless Steel slice detector
- Blade with NARROW BAND out of chromium-plated, hardened steel
- Turning aside and REMOVABLE sharpener
- Big size product-holder plate
- Transparent Plexiglas Protection at product-holder plate
- High reliability of all elements
- New design with large spaces
- Fixed ring guard



Model	Blade	Drive	Hp	Volt	Cut Thickness	Slicing Capacity	lbs
	ø inch				inch	inch	
C33FN	13	Gear	0.5	120/60/1	0 - 1	□ 11 x 7    ○ 9.5	95

