

# WRAPPING STATIONS / BAG SEALERS

- Aluminum and stainless steel construction
- UL listed and USDA approved
- Solid state controlled hot rod cutoff bar

## WRAPPING STATIONS

### AXLE MOUNTED

- One-Roll model, with mounting axle
- 6" x 15" hot plate



625A ..... 22½" x 26" x 9"



### ENERGY SMART

- 6" x 15" on-demand seal plate conserves 75-85% in energy costs
- Energy is consumed by the seal plate only when you need to seal a package



725ES ..... 24¾" x 23" x 9"

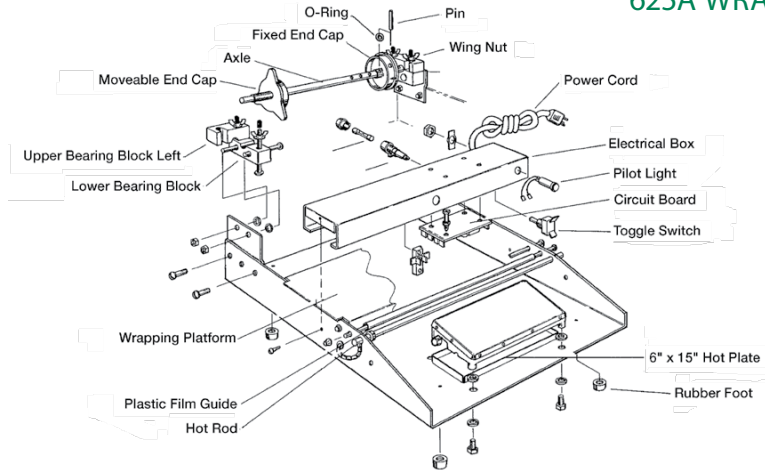
### SPACE SAVER

- Space saver model, with mounting axle
- Smaller footprint for restricted space
- 6" x 9" hot plate



625AMINI ..... 21" x 15½" x 9"

## 625A WRAPPER REPLACEMENT PARTS



HSA	.....	Axle
HSBB	.....	Bearing Blocks, set
HSCB	.....	Circuit Board
HSEC	.....	End Caps, set
HSFH	.....	Fuse Holder (fuse included)
HSHE	.....	Heat Element
HSP	.....	Pin for End Cap

HSR	.....	Hot Rod only (with lead wires)
HSRF	.....	Rubber Feet/4 pack
HST	.....	Thermostat
HSTK	.....	Thermostat Knob
HSTS	.....	Toggle Switch
HS615	.....	Hot Plate, 15" x 6" (aluminum housing only)
HS615C	.....	Hot Plate Kit, 15" x 6" complete

## IMPULSE BAG SEALER



- No warm-up required
- Single knob setting
- Standard 110V

Item Number	Seal Length	Seal Width
MWH200	8"	5/64"
MWH300	12"	5/64"
MWH400	16"	5/64"

### REPLACEMENT SERVICE KIT

MWH200KT	.....	For MWH200
MWH300KT	.....	For MWH300
MWH400KT	.....	For MWH400

Kit includes:

- One upper
- One lower teflon
- 2 flat element wires

## STRETCH FILM WRAP



SFW15	.....	15" x 5000'
SFW18	.....	18" x 5000'

## TEFLON COVERS



Replacement teflon covers for hand wrapping station hot plates.

TC69	.....	6" x 9" for Model #625AMINI
TC615	.....	6" x 15" for Models #625A and #725ES
TC815	.....	8" x 15" for Models #104A

TOLL FREE: (800) 852-2806