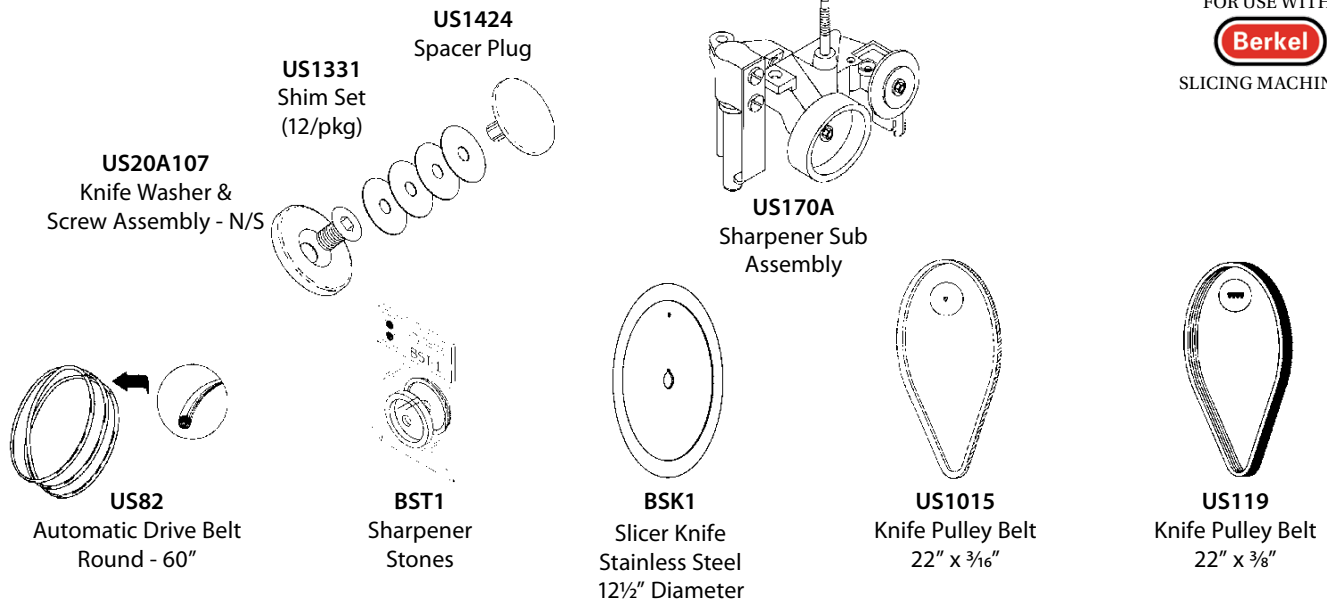


Most parts readily available. Please call for parts needed that are not illustrated.

REPLACEMENT PARTS FOR BERKEL SLICING MACHINES

FOR USE WITH

 SLICING MACHINES

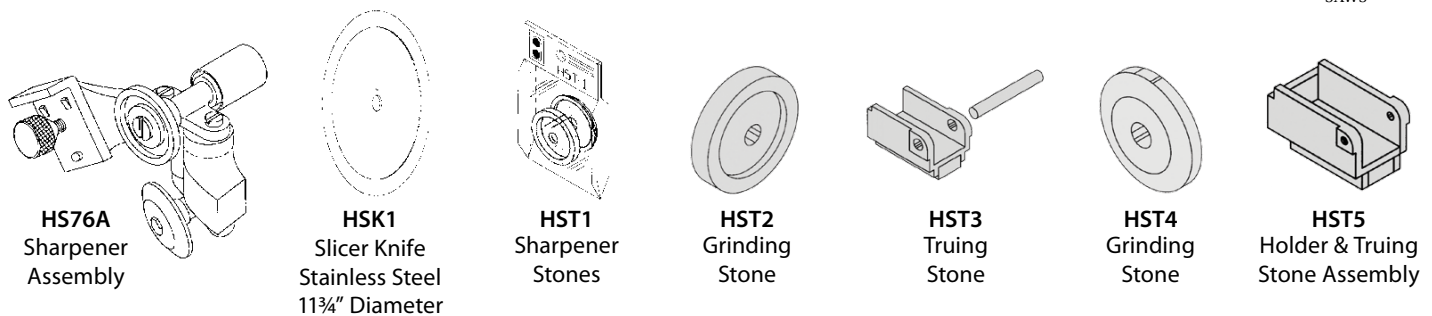


Item Number	Description	FITS MODELS							
		807	808	817	818	909	919	2340	2350
US170A	Sharpener Sub Assembly	X	X	X	X	X	X	X	X
US1015	Knife Pulley Belt	-	X	X	X	-	-	-	-
US119	Knife Pulley Belt	-	-	-	-	X	X	X	X
US82	Automatic Drive Belt - Round Polyurethane	-	-	-	X	-	X	-	X
BSK1	Slicer Knife, Stainless Steel	X	X	X	X	X	X	X	X
BST1	Sharpener Stones, Set	X	X	X	X	X	X	X	X
US1424	Spacer Plug	-	X	-	X	-	-	-	-
US20A107	Knife Washer & Screw Assembly - N/S	-	X	-	X	X	X	X	X
US1331	Shim Set (12/pkg)	-	X	-	X	-	-	-	-

REPLACEMENT PARTS FOR HOBART SLICING MACHINES

FOR USE WITH

 SAWS



Item Number	Description	FITS MODELS											
		512	1512	1612	1612E	1712	1712E	1812	1912	2612	2712	2812	2912
HS76A	Sharpener Assembly	X	-	X	-	X	-	-	-	-	-	-	-
HSK1	Slicer Knife Stainless Steel	X	-	X	X	X	X	X	X	-	-	-	-
HST1	Sharpener Stones	X	-	X	-	X	-	-	-	-	-	-	-
HST2	Grinding Stone	-	-	-	X	-	X	X	X	-	-	-	-
HST3	Truing Stone	-	-	-	X	-	X	X	X	-	-	-	-
HST4	Grinding Stone	-	-	-	-	-	-	-	X	X	X	X	
HST5	Holder & Truing Stone Assembly	-	-	-	-	-	-	-	X	X	X	X	