

SLICERS

HEAVY DUTY SLICERS



- Built-in easy to use two stone sharpener makes blade sharpening simple and convenient
- Thermal overload protection with manual reset automatically shuts off slicer to protect from damage



- 3/4 HP motor

12" AUTOMATIC

40954 22 5/8" x 29 5/8" x 24 7/8"



- 1/2 HP motor

12" MANUAL

40952 22 9/16" x 27 15/16" x 22 9/16"



- 1/2 HP motor
- Expanded 1" slice thickness

13" MANUAL

40955 26 1/4" x 24 3/16" x 24 1/4"

SLICERS

BIZERBA

- One piece anodized aluminum construction
- Our standard blade is the hardest, thinnest, largest, straightest blade in the industry
- 1/2 HP, 120V/60Hz/1PH
- Unique design allows for the smallest end pieces, increased product yield
- Remote sharpener is dishwasher safe for improved safety and hygiene



13" AUTOMATIC

GSPHD 28 3/8" x 23 1/10" x 24 7/10"



13" MANUAL

GSPV 26" x 28 9/20" x 22 11/25"

REPLACEMENT PARTS FOR GLOBE SLICING MACHINES

FOR USE WITH



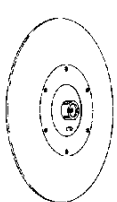
SLICING MACHINES



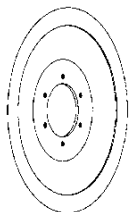
GS23832
Center Plate Screw
(25/pkg)



GST1
Sharpener Stones



GS123843
Center Plate
Support
8 3/8" O.D.



GSK3
Solid Knife
Stainless Steel
11 1/2" Diameter

Model Number	ITEM NUMBERS			
	GST1	GS23832	GS123843	GSK3
75	X	X	-	-
150	X	X	-	-
285	X	X	-	X
300	X	X	X	X
400	X	X	X	X
500	XL	XL	XL	XL
510	X	X	-	-
610	X	X	-	-
660	X	X	-	-
685	X	X	-	X
710	X	X	-	-
715	X	X	-	X
720	X	X	X	X
725	XL	XL	XL	XL
760	X	X	-	-

Model Number	ITEM NUMBERS			
	GST1	GS23832	GS123843	GSK3
765	X	X	-	X
770	X	X	X	X
775	XL	XL	XL	XL
815	X	X	-	X
820	X	X	X	X
825	XL	XL	XL	XL
2500	X	-	-	X
3500	X	-	-	X
3600	X	-	-	X
3850	X	-	-	-
3975	X	-	-	-
4500	X	X	-	X
4600	X	X	-	X
4750	X	X	-	X

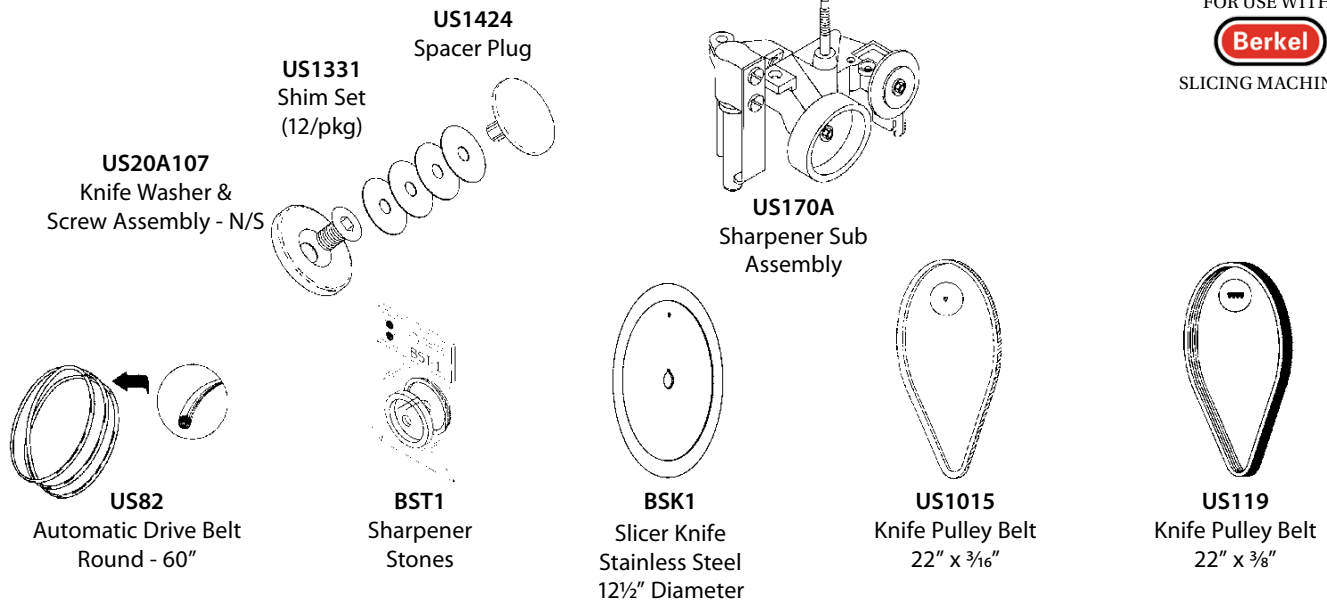
X = Fits Regular Model Version L = "L" Model Version



Most parts readily available. Please call for parts needed that are not illustrated.

REPLACEMENT PARTS FOR BERKEL SLICING MACHINES

FOR USE WITH
Berkel
SLICING MACHINES

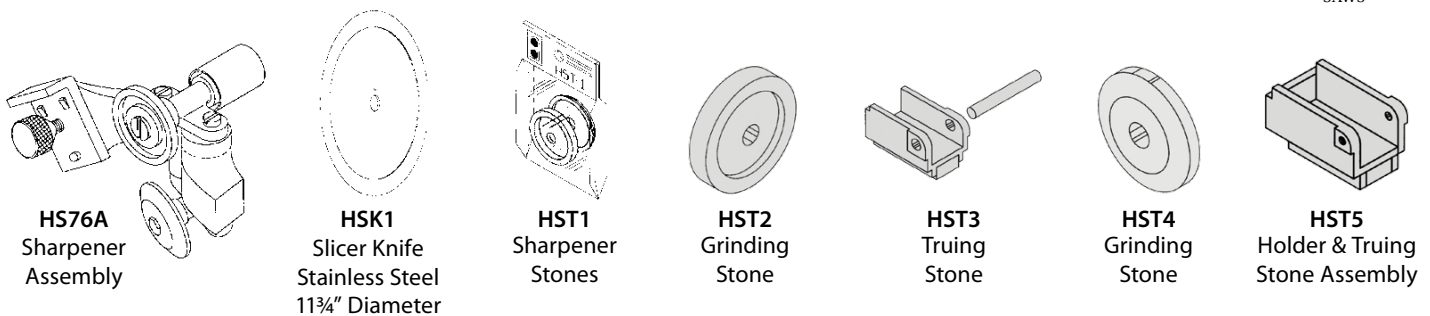


Item Number	Description
US170A	Sharpener Sub Assembly
US1015	Knife Pulley Belt
US119	Knife Pulley Belt
US82	Automatic Drive Belt - Round Polyurethane
BSK1	Slicer Knife, Stainless Steel
BST1	Sharpener Stones, Set
US1424	Spacer Plug
US20A107	Knife Washer & Screw Assembly - N/S
US1331	Shim Set (12/pkg)

FITS MODELS							
807	808	817	818	909	919	2340	2350
X	X	X	X	X	X	X	X
-	X	X	X	-	-	-	-
-	-	-	-	X	X	X	X
-	-	-	X	-	X	-	X
X	X	X	X	X	X	X	X
X	X	X	X	X	X	X	X
-	X	-	X	-	-	-	-
-	X	-	X	X	X	X	X
-	X	-	X	-	-	-	-

REPLACEMENT PARTS FOR HOBART SLICING MACHINES

FOR USE WITH
HOBART
SAWS



Item Number	Description
HS76A	Sharpener Assembly
HSK1	Slicer Knife Stainless Steel
HST1	Sharpener Stones
HST2	Grinding Stone
HST3	Truing Stone
HST4	Grinding Stone
HST5	Holder & Truing Stone Assembly

FITS MODELS											
512	1512	1612	1612E	1712	1712E	1812	1912	2612	2712	2812	2912
X	-	X	-	X	-	-	-	-	-	-	-
X	-	X	X	X	X	X	X	-	-	-	-
X	-	X	-	X	-	-	-	-	-	-	-
-	-	-	X	-	X	X	X	-	-	-	-
-	-	-	X	-	X	X	X	-	-	-	-
-	-	-	-	-	-	-	-	X	X	X	X
-	-	-	-	-	-	-	-	X	X	X	X