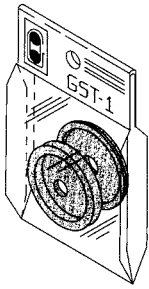


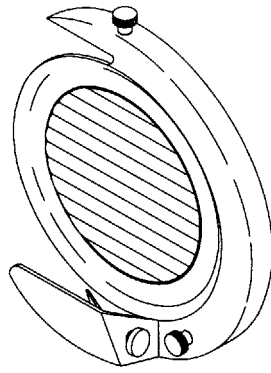
Most parts readily available. Please call for parts needed that are not illustrated.

## REPLACEMENT PARTS FOR GLOBE SLICING MACHINES

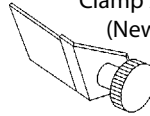
FOR USE WITH  
**Globe**  
SLICING MACHINES



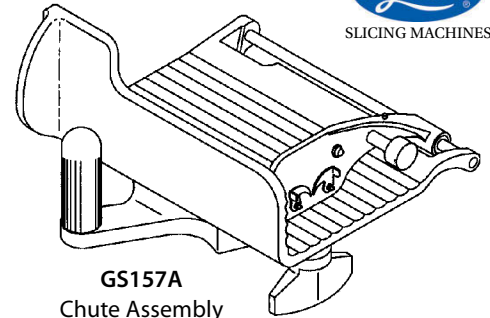
**GST1**  
Sharpener  
Stones



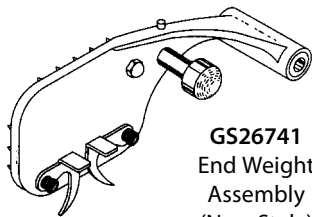
**GS170A**  
Knife Guard Assembly  
(Does not include  
Center Plate Support)



**GS48A**  
Knife Scraper &  
Clamp Assembly  
(New Style)



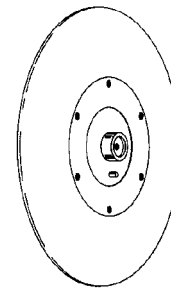
**GS157A**  
Chute Assembly  
Complete



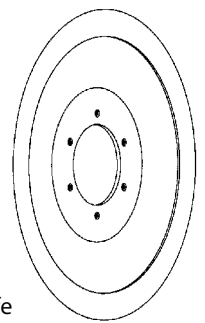
**GS26741**  
End Weight  
Assembly  
(New Style)



**GS23832**  
Center Plate Screw  
(25/pkg)



**GS123843**  
Center Plate Support  
8 $\frac{3}{8}$ " O.D.



**GSK3**  
Solid Knife  
Stainless Steel  
1 $\frac{1}{2}$ " Diameter

Item Number Description

**GST1** ..... Sharpener Stones  
**GS170A** ..... Knife Guard Assembly  
(Does not include center plate support)  
**GS48A** ..... Knife Scraper & Clamp Assembly (N/S)  
**GS157A** ..... Chute Assembly Complete  
**GS26741** ..... End Weight Assembly (New Style)  
**GS23832** ..... Center Plate Screw (25/pkg.)  
**GS123843** ..... Center Plate Support  
**GSK3** ..... Solid Knife (Stainless Steel)

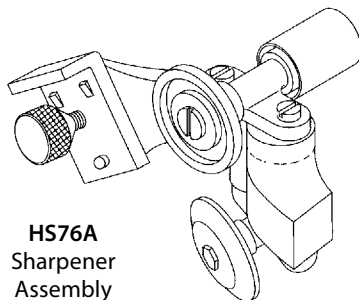
**FITS MODELS**

	75	150	285	300	400	500	510	610	660	685	710	715	720	725	760	765	770	775	815	820	825
<b>GST1</b>	-	X	X	X	X	XL	-	X	X	X	X	X	X	XL	X	X	X	XL	X	X	XL
<b>GS170A</b>	-	-	-	X	X	XL	-	-	-	-	-	-	X	XL	-	-	X	XL	-	-	XL
<b>GS48A</b>	-	X	X	X	X	XL	-	X	X	X	X	X	X	XL	X	X	X	XL	X	X	XL
<b>GS157A</b>	-	X	X	X	X	XL	-	X	X	X	X	X	X	XL	X	X	X	XL	X	X	XL
<b>GS26741</b>	-	-	X	X	X	XL	-	-	-	X	-	X	X	XL	-	X	X	XL	X	X	XL
<b>GS23832</b>	X	X	X	X	X	XL	X	X	X	X	X	X	X	XL	X	X	X	XL	X	X	XL
<b>GS123843</b>	-	-	-	X	X	XL	-	-	-	-	-	-	X	XL	-	-	X	XL	-	X	XL
<b>GSK3</b>	-	X	X	X	XL	-	-	-	X	-	X	X	XL	-	X	X	XL	X	X	XL	

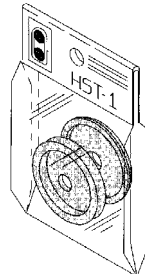
X = Fits Regular Model Version L = "L" Model Version

## REPLACEMENT PARTS FOR HOBART SLICING MACHINES

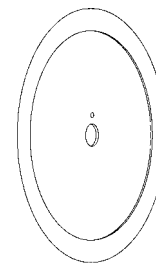
FOR USE WITH  
**HOBART**  
SAWS



**HS76A**  
Sharpener  
Assembly



**HST1**  
Sharpener  
Stones



**HSK1**  
Slicer Knife  
Stainless Steel  
1 $\frac{3}{4}$ " Diameter

Item Number Description

**HS76A** ..... Sharpener Assembly  
**HST1** ..... Sharpener Stones  
**HSK1** ..... Slicer Knife Stainless Steel

**FITS MODELS**

	411	512	1512	1612	1712	1812	1912
<b>HS76A</b>	-	X	-	X	X	-	-
<b>HST1</b>	X	X	X	X	X	-	-
<b>HSK1</b>	-	-	-	X	X	X	X