

Many parts are interchangeable. Please check reference chart to make sure wheels and wheel assemblies are compatible with your model of saw.

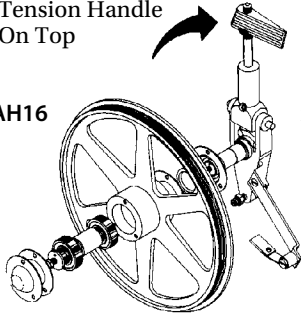
REPLACEMENT PARTS FOR BUTCHER BOY SAWS

UPPER WHEEL

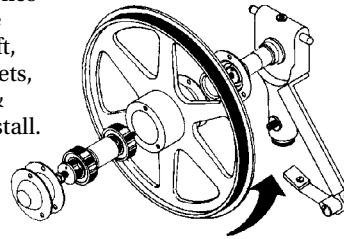
FOR USE WITH
Butcher Boy
SAWS

(Old Style)
Tension Handle
On Top

BB086AH16



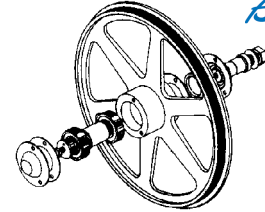
Upper wheel assemblies
With Hangers are
complete with shaft,
bearings, seals, gaskets,
spacer, hub cap &
retainer - ready to install.



BB103AH16

(New Style)

Tension Handle Below

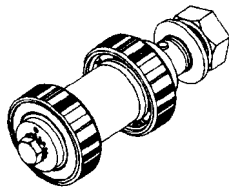


BB107A

BB082A149

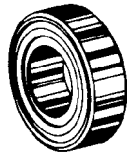
BB080A169

Upper Wheel Assembly
No Hangers



BB019A7

Shaft & Bearing Assembly
with Metal Shields



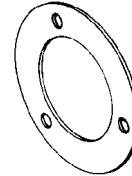
BBUMB

Upper Main Bearing
with 1 Metal Shield
(Upper wheel
requires 2 bearings)



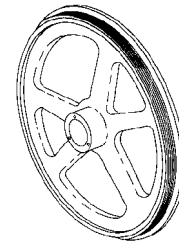
BB05241D

Upper & Lower
Shaft Seal



BB05141C

Shaft Gasket



BB105U

BB082149

BB080169

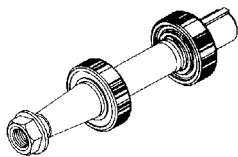
Upper Wheel Only

Saw Model#	Shaft & Bearing Assy with Metal Shields	Wheel Only	Wheel Assembly with Hanger	Wheel Assembly No Hanger
B12	BB019A7	BB105U	BB108AH12	BB107A
B14	BB019A7	BB082149	BB085AH14	BB082A149
B16	BB019A7	BB080169	(Old) BB086AH16/(New) BB103AH16	BB080A169
1435	BB019A7	BB082149	BB085AH14	BB082A149
1640	BB019A7	BB080169	BB103AH16	BB080A169
COBRA 14	BB019A7	BB082149	BB085AH14	BB082A149
COBRA 16	BB019A7	BB080169	BB103AH16	BB080A169

REPLACEMENT PARTS FOR BUTCHER BOY SAWS

LOWER WHEEL

FOR USE WITH
Butcher Boy
SAWS



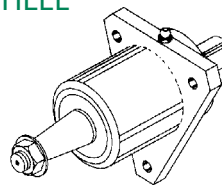
BB020A23

Lower Shaft Assembly
with Metal Shields



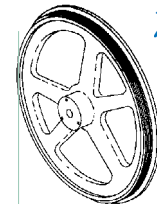
BBLMB

Lower Main Bearing
with 1 Metal Shield
(Lower wheel
requires 2 bearings)



BB123A

Lower Main Bearing Housing Assembly.
Includes bearings, shaft, grease, retaining
rings, seal, nut, washer & square key



BB106L

BB0831410

BB0811610

Lower Wheel Only

Saw Model#	Shaft & Bearing Assy with Metal Shields	Lower Main Bearing Housing Assembly	Wheel Only
B12	BB020A23	BB123A	BB106L
B14	BB020A23	BB123A	BB0831410
B16	BB020A23	BB123A	BB0811610
1435	BB020A23	BB123A	BB0831410
1640	BB020A23	BB123A	BB0811610
COBRA 14	BB020A23	BB123A	BB0831410
COBRA 16	BB020A23	BB123A	BB0811610

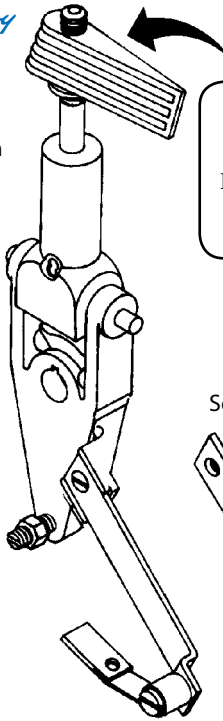
BAND SAW PARTS

Please call for parts needed that are not illustrated. Most parts readily available including: wheel, shaft and bearing assemblies, cleaner assemblies etc. as well as individual component parts.

REPLACEMENT PARTS FOR BUTCHER BOY SAWS

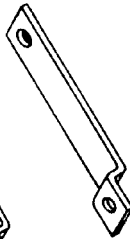
FOR USE WITH
Butcher Boy
SAWS

BB087A18
B16 Tension
Hanger
Assembly

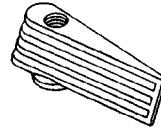


Note:
"OLD" B16 -
Tension
Handle located
on top of
Upper Wheel

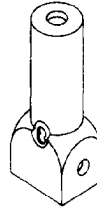
BB04834/16
Upper Wheel
Scraper Arm - B16



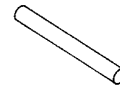
BB01430A
Tension Handle



BB07331A
Tension Gauge
Housing

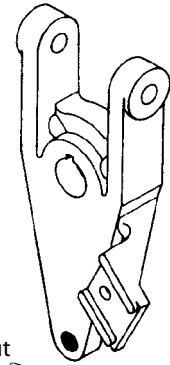


BB07431C/16
Rod & Indicator
Assembly

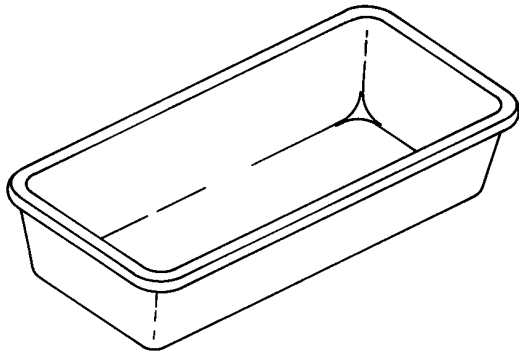


BB07631D
Tension Gauge Pin

BB0718A
Upper Wheel
Hanger

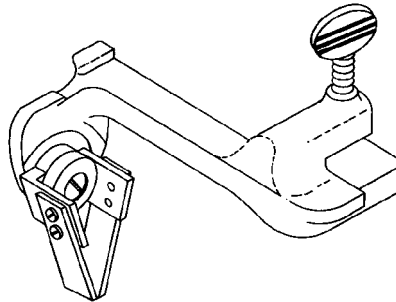


BB05335
Adjusting
Screw & Nut

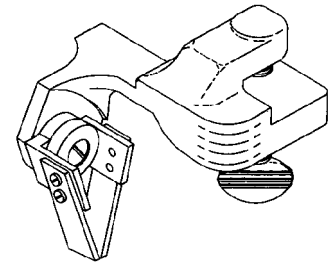


BB0907016
Bone Dust Pan - B16
21" x 8" x 3"

BB0917014
Bone Dust Pan - B14
19" x 8" x 3"



BB045A17A
Rear Scraper Assembly
(New Style)

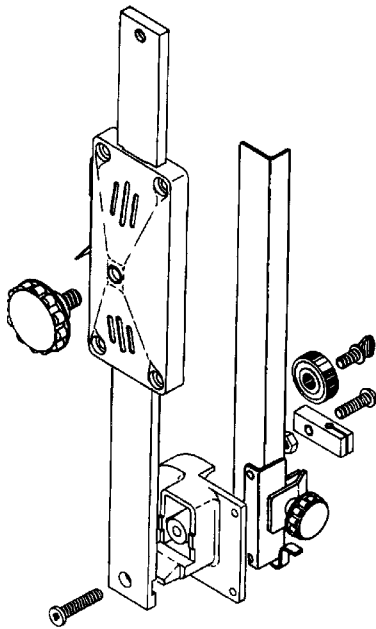


BB065A95
Rear Scraper Assembly

Item Number	Description	FITS MODELS							
		B12	B14	B16	1435	1640	14 COBRA	16	SA20
BB087A18	B16 Tension Hanger Assembly	-	-	OLD	-	-	-	-	-
BB04834/16	Upper Wheel Scraper Arm - B16	-	-	OLD	-	-	-	-	-
BB01430A	Tension Handle	X	X	OLD	X	-	X	-	-
BB07331A	Tension Gauge Housing	X	X	OLD	X	-	X	-	-
BB07431C/16	Rod & Indicator Assembly	-	-	OLD	-	-	-	-	-
BB07631D	Tension Gauge Pin	X	X	OLD	X	X	X	X	-
BB0718A	Upper Wheel Hanger	X	X	OLD	X	-	X	-	-
BB05335	Adjusting Screw & Nut	-	-	-	X	X	X	-	-
BB0907016	Bone Dust Pan - B16, 21" x 8" x 3"	-	-	X	-	X	-	X	-
BB0917014	Bone Dust Pan - B14, 19" x 8" x 3"	-	X	-	X	-	X	-	-
BB045A17A	Rear Scraper Assembly (New Style)	X	X	X	-	-	-	-	-
BB065A95	Rear Scraper Assembly	-	-	-	-	-	X	X	-

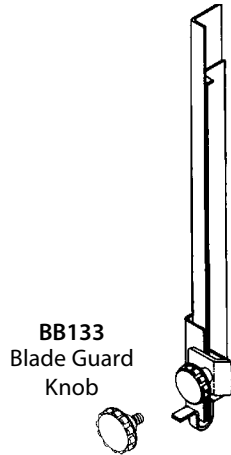
Many parts are interchangeable. Please check reference chart to make sure part is compatible with your model of saw.

REPLACEMENT PARTS FOR BUTCHER BOY SAWS



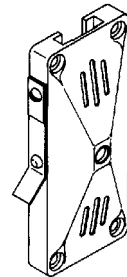
BB099A14

Adjusting Bar Guide Assembly Complete with Guide & Roller Mount Assembly Bar Length: 18½"



BB133
Blade Guard Knob

BB02439/NS
Blade Guard



BB09514A
Adjusting Bar Guide with Spring Lock



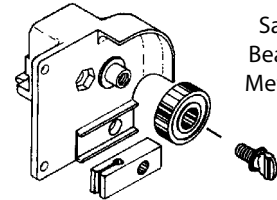
BB09637A
Adjusting Bar Guide Knob



FOR USE WITH
Butcher Boy
SAWS

BB04738A/16
Blade Support Adjusting Bar
B16 Length: 18½"

BB04640
Adjusting Guide & Roller Mount



BBSGB
Saw Guide Bearing with Metal Shields

BB00353V
Upper Saw Guide with "V" Front

BB02952A
Bearing Thumb Screw

Item Number	Description
BB099A14	Adjusting Bar Guide Assembly
BB04738A/16	Blade Support Adjusting Bar
BB133	Blade Guard Knob
BB02439/NS	Blade Guard
BB09514A	Adjusting Bar Guide with Spring Lock
BB09637A	Adjusting Bar Guide Knob
BB04640	Adjusting Guide & Roller Mount
BBSGB	Saw Guide Bearing with Metal Shields
BB00353V	Upper Saw Guide with "V" Front
BB02952A	Bearing Thumb Screw

		FITS MODELS							
		B12	B14	B16	1435	1640	COBRA		SA20
							14	16	
BB099A14	Adjusting Bar Guide Assembly	X	X	X	X	X	-	X	-
BB04738A/16	Blade Support Adjusting Bar	-	-	X	-	-	-	-	-
BB133	Blade Guard Knob	X	X	X	X	X	-	X	-
BB02439/NS	Blade Guard	X	X	X	X	X	-	-	-
BB09514A	Adjusting Bar Guide with Spring Lock	X	X	X	-	-	-	X	-
BB09637A	Adjusting Bar Guide Knob	X	X	X	-	-	-	X	-
BB04640	Adjusting Guide & Roller Mount	X	X	X	-	-	-	X	-
BBSGB	Saw Guide Bearing with Metal Shields	X	X	X	X	X	-	-	-
BB00353V	Upper Saw Guide with "V" Front	X	X	X	X	X	X	X	-
BB02952A	Bearing Thumb Screw	X	X	X	X	X	-	-	-

Please call for parts needed that are not illustrated. Parts readily available include: Wheel, shaft & bearing assemblies, cleaner assemblies, as well as individual component parts.



SPRAY BOTTLE

Adjust-O-Spray trigger poly spray bottle. Applications: food equipment oil, cleaners, sanitizers, etc. Capacity: 22 oz.

922H..... Poly Spray Bottle

FOOD GRADE GREASE

Premium food grade white EP bearing grease. Authorized by USDA for use in federally inspected meat and poultry plants; FDA regulation No. 21 CFR 178.3570. Applications: Anti-friction bearings, plain bearings, guides, slides, joints, grease lubricated chains, gears and cams.

- Contains mineral oil
- Resists water washout
- 0 deg to 300 deg F

FGG14 One 14.1 oz Tube



FOOD EQUIPMENT OIL

Lubricates and protects food machinery and parts. Use on meatsaws, grinders and choppers, tenderizers, slicers, patty machines, etc. Simply spray all food machinery after cleaning and it makes your next clean up job fast and easy.

LO128 1 Gallon

Acceptable as a 3-H lubricant with incidental food contact. Oil is an odorless, tasteless, fluid at low temperatures and transparent. Conforms to the rigid standards of the National Formulary and in all respects with the requirements of FDA regulation 121,1146. Authorized for use under USDA poultry, meat, rabbit and egg products inspection program.

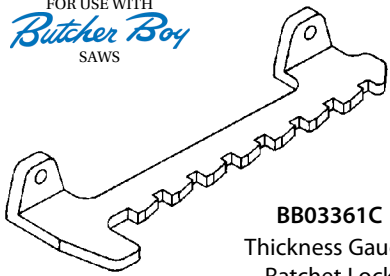
Quantity Discounts when you purchase by the case! **\$\$**

BAND SAW PARTS

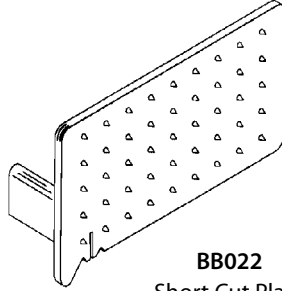
Please call for parts needed that are not illustrated. Most parts readily available including: wheel, shaft and bearing assemblies, cleaner assemblies etc. as well as individual component parts.

REPLACEMENT PARTS FOR BUTCHER BOY SAWS

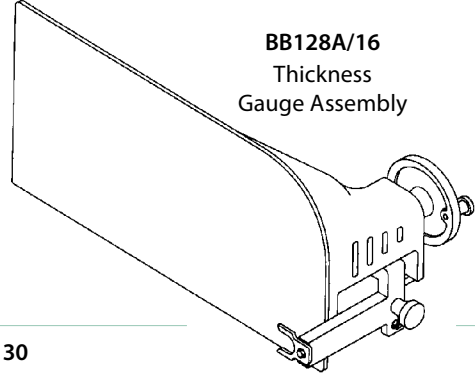
FOR USE WITH
Butcher Boy
SAWS



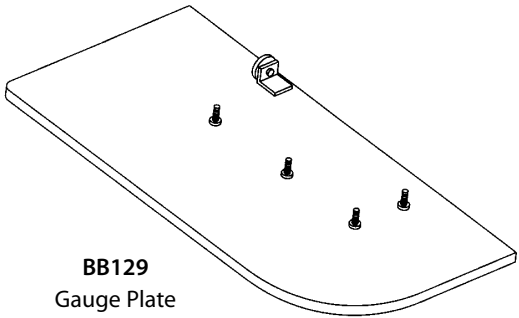
BB03361C
Thickness Gauge
Ratchet Lock



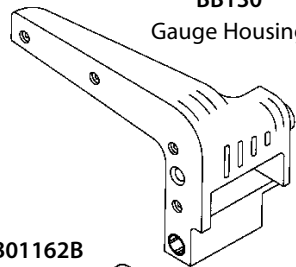
BB022
Short Cut Plate



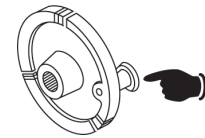
BB128A/16
Thickness
Gauge Assembly



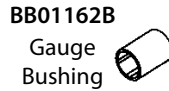
BB129
Gauge Plate



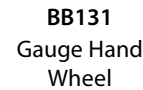
BB130
Gauge Housing



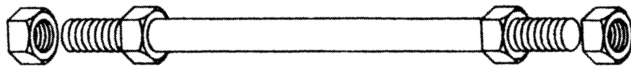
**Aluminum
Knob**



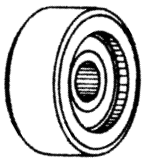
BB01162B
Gauge
Bushing



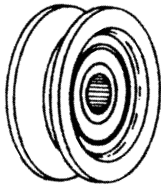
BB131
Gauge Hand
Wheel



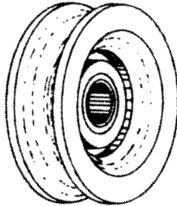
BB127A
Table Bearing Axle & Nuts



BB00811F
Table Roller
Flat



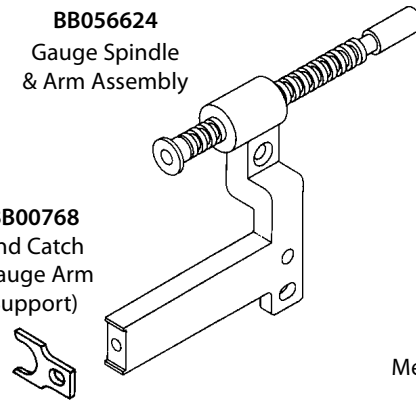
BB00811V
Table Roller
"V" Groove



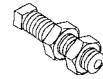
BB00811U
Table Roller
"U" Groove

BB056624
Gauge Spindle
& Arm Assembly

BB00768
End Catch
(Gauge Arm
Support)



BB09863
Gauge Lock
Knob



BB06163
Measuring Arm
Lock Stud

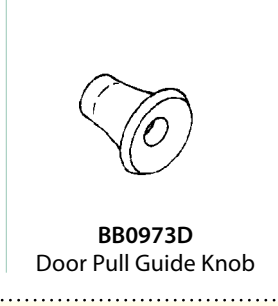
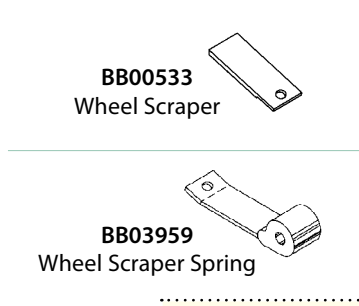
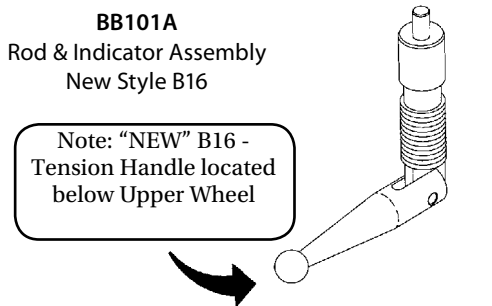
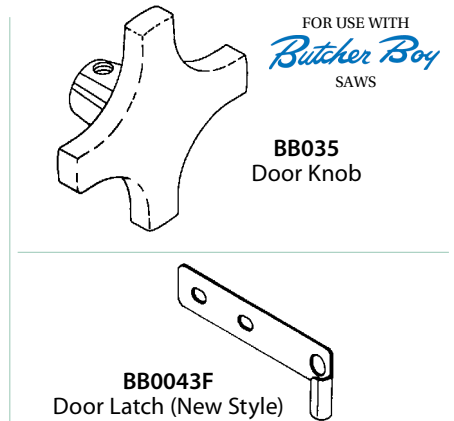
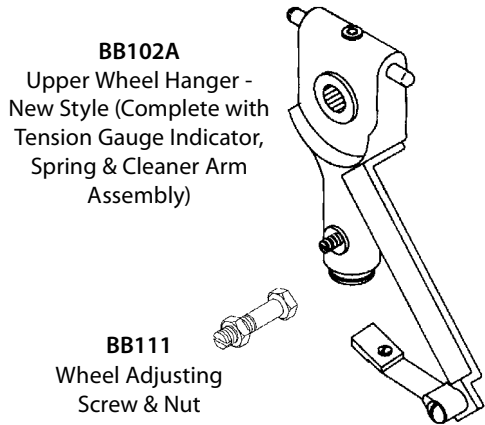
Item Number	Description
BB03361C	Thickness Gauge Ratchet Lock
BB022	Short Cut Plate
BB128A/16	Thickness Gauge Assembly
BB129	Gauge Plate
BB130	Gauge Housing
BB01162B	Gauge Bushing
BB131	Gauge Hand Wheel
BB127A	Table Bearing Axle & Nuts
BB00811F	Table Roller Flat
BB00811V	Table Roller "V" Groove
BB00811U	Table Roller "U" Groove
BB056624	Gauge Spindle & Arm Assembly
BB00768	End Catch (Gauge Support Arm)
BB09863	Gauge Lock Knob
BB06163	Measuring Arm Lock Stud

		FITS MODELS					COBRA		
		B12	B14	B16	1435	1640	14	16	SA20
BB03361C	Thickness Gauge Ratchet Lock	X	X	X	X	X	X	X	-
BB022	Short Cut Plate	X	X	X	X	X	X	X	-
BB128A/16	Thickness Gauge Assembly	X	X	X	X	X	X	X	-
BB129	Gauge Plate	X	X	X	X	X	X	X	-
BB130	Gauge Housing	X	X	X	X	X	X	X	-
BB01162B	Gauge Bushing	X	X	X	X	X	X	X	-
BB131	Gauge Hand Wheel	X	X	X	X	X	X	X	-
BB127A	Table Bearing Axle & Nuts	X	X	X	X	X	-	-	-
BB00811F	Table Roller Flat	X	X	X	X	X	-	-	X
BB00811V	Table Roller "V" Groove	X	X	X	X	X	-	-	X
BB00811U	Table Roller "U" Groove	X	X	X	X	X	-	-	X
BB056624	Gauge Spindle & Arm Assembly	X	X	X	X	X	X	X	-
BB00768	End Catch (Gauge Support Arm)	X	X	X	X	X	X	X	-
BB09863	Gauge Lock Knob	X	X	X	X	X	X	X	-
BB06163	Measuring Arm Lock Stud	X	X	X	X	X	X	X	-

BAND SAW PARTS

Many parts are interchangeable. Please check reference charts to make sure parts are compatible with your model of saw.

REPLACEMENT PARTS FOR BUTCHER BOY SAWS



Item Number	Description	FITS MODELS							
		B12	B14	B16	1435	1640	14 COBRA	16	SA20
BB102A	Upper Wheel Hanger (New Style)	-	-	NEW	-	X	-	X	-
BB111	Wheel Adjusting Screw & Nut	-	-	NEW	-	X	-	X	X
BB101A	Rod & Indicator Assembly (New Style B16)	-	-	NEW	-	X	-	X	-
BB112	Threaded Sleeve	-	-	NEW	-	X	-	X	X
BB07531E	Tension Gauge Spring	X	X	NEW	X	X	X	X	X
BB110	Tension Gauge Indicator	-	-	NEW	-	X	-	X	X
BB00533	Wheel Scraper	X	X	NEW	X	X	X	X	X
BB03959	Wheel Scraper Spring	X	X	NEW	X	X	X	X	X
BB035	Door Knob	-	-	-	-	-	X	X	-
BB0043F	Door Latch (New Style)	X	X	X	-	-	-	-	-
BB100	Door Hinge Set, Stainless	X	X	X	-	-	-	-	-
BB0973D	Door Pull Guide Knob	X	X	X	-	-	-	-	-

BUTCHER BOY REPAIR KIT

FOR USE WITH
Butcher Boy
SAWS

Repair kit for models:
B12, B14 and B16

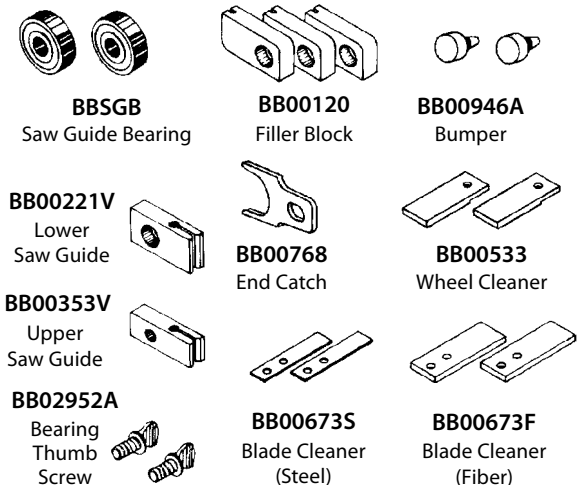
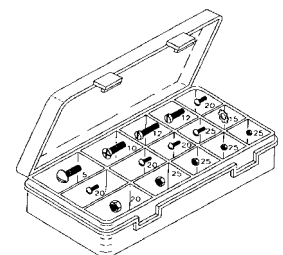
BBRK1 Butcher Boy Repair Kit
Kit Includes:

- 2 Saw Guide Bearing
- 1 Lower Saw Guide
- 1 Upper Saw Guide
- 2 Bearing Thumb Screw
- 3 Filler Block
- 1 End Catch
- 2 Blade Cleaner (Steel)
- 2 Bumper
- 2 Wheel Cleaner
- 2 Blade Cleaner (Fiber)

HARDWARE KIT

Kit consists of 279 stainless steel nuts, bolts, screws and washers in a break resistant plastic container.

BBRK5 Hardware repair kit for all models

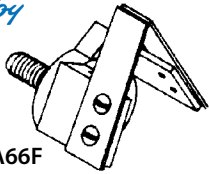


BAND SAW PARTS

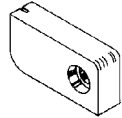
Many parts are interchangeable. Please check reference charts to make sure parts are compatible with your model of saw.

REPLACEMENT PARTS FOR BUTCHER BOY SAWS

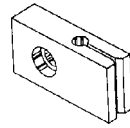
FOR USE WITH
Butcher Boy
SAWS



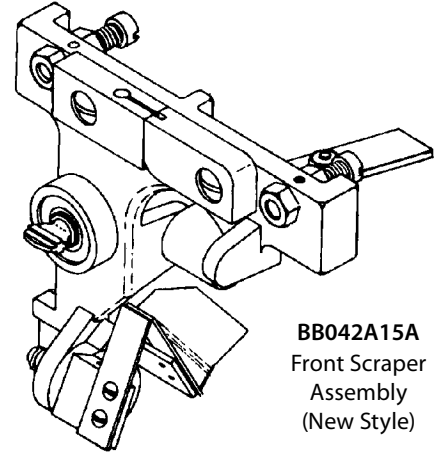
BB041A66F
Blade Scraper Holder
Assembly (Fiber)



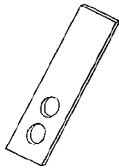
BB00120
Filler Block (Nylon)
BB118
Filler Block (Fiber)



BB00221V
Lower Saw Guide
with "V" Front



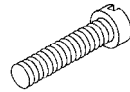
BB042A15A
Front Scraper
Assembly
(New Style)



BB00673F
Blade Cleaner
(Fiber)
BB00673S
Blade Cleaner
(Steel)

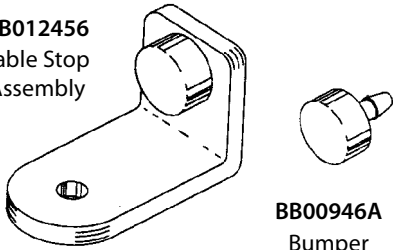


BB001A20A/S
Filler Stud (Short)

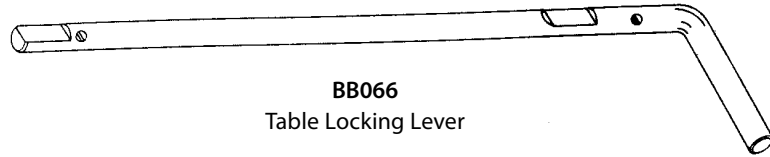


BB001A20A/L
Filler Stud (Long)

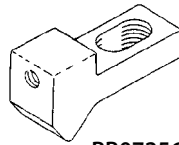
BB012456
Table Stop
Assembly



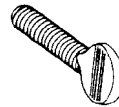
BB00946A
Bumper



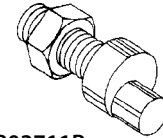
BB066
Table Locking Lever



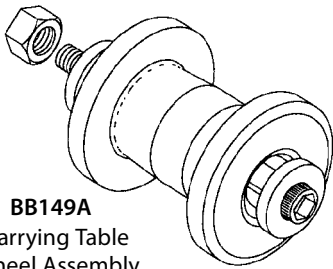
BB07256F
Lever Adjusting Lock



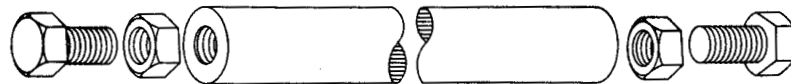
BB02556C
Table Thumb Screw



BB03711B
Table Holding Pin



BB149A
Carrying Table
Wheel Assembly
Wheel, Bearing & Axle



BB115A16
Gauge Rod - New Style
Length: 19½"

Item Number	Description
BB00120	Filler Block (Nylon)
BB118	Filler Block (Fiber)
BB00221V	Lower Saw Guide with "V" Front
BB041A66F	Blade Scraper Holder Assembly (Fiber)
BB001A20A/S	Filler Stud (Short)
BB001A20A/L	Filler Stud (Long)
BB00673F	Blade Cleaner (Fiber)
BB00673S	Blade Cleaner (Steel)
BB042A15A	Front Scraper Assembly (New Style)
BB012456	Table Stop Assembly
BB00946A	Bumper
BB149A	Carrying Table Wheel Assembly - Wheel, Bearing & Axle
BB066	Table Locking Lever
BB07256F	Lever Adjusting Lock
BB02556C	Table Thumb Screw
BB03711B	Table Holding Pin
BB115A16	Gauge Rod (New Style)

FITS MODELS

	B12	B14	B16	1435	1640	COBRA		SA20
						14	16	
BB00120	-	X	X	X	X	X	X	X
BB118	X	X	X	X	X	X	X	-
BB00221V	X	X	X	X	X	X	X	X
BB041A66F	X	X	X	X	X	X	X	X
BB001A20A/S	X	X	X	X	X	X	X	-
BB001A20A/L	X	X	X	X	X	X	X	-
BB00673F	X	X	X	X	X	X	X	X
BB00673S	X	X	X	X	X	X	X	X
BB042A15A	X	X	X	X	X	X	X	-
BB012456	X	X	X	X	X	-	-	X
BB00946A	X	X	X	X	X	-	-	X
BB149A	-	-	-	-	-	X	X	-
BB066	-	-	X	-	X	-	X	-
BB07256F	X	X	X	X	X	-	-	-
BB02556C	X	X	X	X	X	-	-	-
BB03711B	X	X	X	X	X	X	X	-
BB115A16	-	-	X	-	X	-	X	-

