

WRAPPING STATIONS/BAG SEALER

WRAPPING STATIONS



One-Roll model, with mounting axle. 6" x 15" hot plate.

Two-Roll model, with mounting axle. 6" x 15" hot plate.

625A 22½" w x 26" d x 9" h

825A 23½" w x 33" d x 23" h



One-Roll model, with mounting axle. 6" x 9" hot plate.

625AMINI 15½" x 21" d x 9" h

UTILITY STAND

- Welded aluminum stand with shelf and adjustable feet
- Fits all table model wrappers
- Can also be used as a utility table



50STAND 22½" x 22" x 31½"

TEFLON COVERS

Replacement teflon covers for hand wrapping station hot plates.



TC615 6" x 15" for Models 625A and 825A

TC815 8" x 15" for Model 104A

IMPULSE BAG SEALER

Provides a quick, efficient and low cost means for sealing all types of plastic bags. Makes air tight or bead seals. No warm-up required. Single knob setting. Standard 110V (3 prong grounded plug).



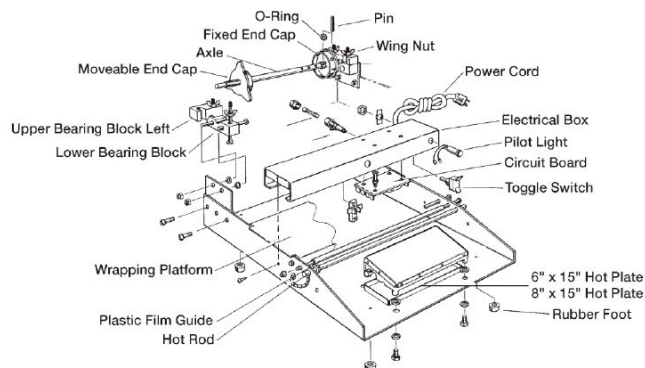
Item Number	Seal Length	Seal Width
MWH200	8"	5/64"
MWH300	12"	5/64"
MWH400	16"	5/64"

REPLACEMENT SERVICE KIT

Includes one upper and one lower teflon, 2 flat element wires.

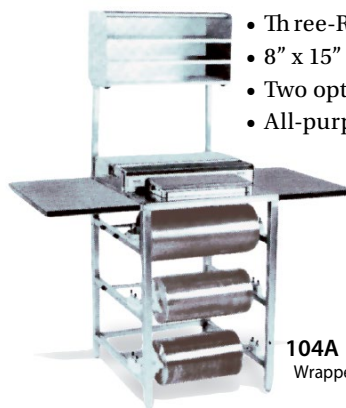
MWH200KT	For MWH200
MWH300KT	For MWH300
MWH400KT	For MWH400

Tough aluminum and stainless steel construction. Features all stainless wrapping surface for quick, easy clean-up. Solid state - controlled hot rod cutoff bar, film tension adjustment. Every wrapper is UL listed and USDA approved.



HSA Axle
HSBB Bearing Blocks, set
HSCB Circuit Board
HSEC End Caps, set
HSFH Fuse Holder (fuse included)
HSHE Heat Element
HSP Pin for End Cap
HSR Hot Rod only (with lead wires)
HSRF Rubber Feet/4 pack
HST Thermostat
HSTK Thermostat Knob
HSTS Toggle Switch
HS615 Hot Plate, 6" x 15" (aluminum housing only)
HS615C Hot Plate Kit, 6" x 15" complete
HS815 Hot Plate, 8" x 15" (aluminum housing only)
HS815C Hot Plate Kit, 8" x 15" complete

CONSOLE WRAPPER



- Three-Roll capacity, with mounting axles
- 8" x 15" hot plate
- Two optional stainless steel wings
- All-purpose storage rack and label holder

104A 23" x 26" x 36"
Wrapper side shelves and storage rack sold separately

Item Number	Description	Dimension
SW104	Stainless Steel "Wings" (set of 2)	20" x 14"
ASR	Accessory Storage Rack (aluminum)	22" x 14" x 12"

STRETCH FILM WRAP

Clear, softer film. Can be used on hand wrap, semi-automatic and automatic machines.

SFW15 15" x 5000'
SFW18 18" x 5000'

