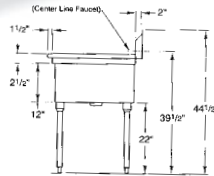


SINKS & ACCESSORIES



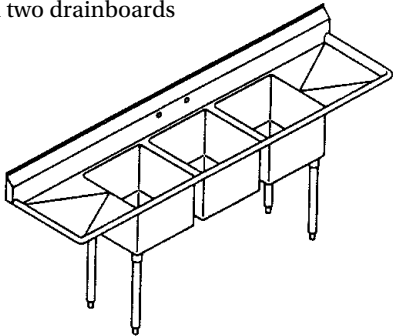
Fabricated with 16 gauge type 302 (18-8) #4 finish stainless steel. Heliarc welded and polished. NSF approved sinks have rounded covered corners inside. Welded joints are finished to meet NSF approval.

Specifications:

- Splash - 11" from working level of drainboard including 2" return to wall. Overall height from floor: 43" minimum with 2" adjustment on feet
- Faucet holes - 1" diameter spaced 8" on center on sinks up to 96" long. Two sets of holes on longer models
- Depth - 14" outside heliarc welded for sanitary purposes
- Rim - 1 1/2" diameter sanitary roll on three sides
- Legs - 1 1/4" IPS round galvanized
- Feet - Internal, adjustable

POT AND UTENSIL SINKS

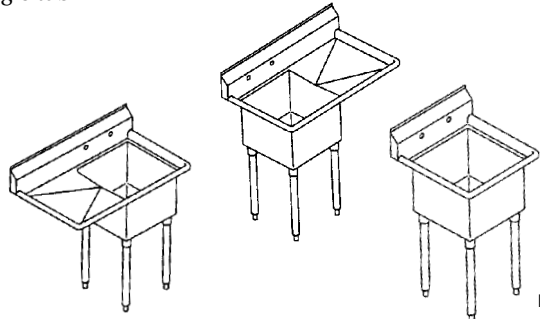
Three tubs and two drainboards



Item Number	Tub Dimensions	Drainboard Dimensions	Overall Dimensions
N90243T2D	18" x 18"	18" x 18"	90" x 24"
N90303T2D	18" x 24"	18" x 24"	90" x 30"
N120303T2D	24" x 24"	24" x 24"	120" x 30"

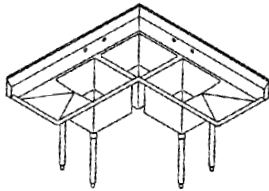
PRODUCT OR PREP SINKS

Single tub



Item Number	Tub Dimensions	Drainboard Dimensions	Overall Dimensions
N39241T1D*	18" x 18"	18" x 18"	39" x 24"
N39301T1D*	18" x 24"	18" x 24"	39" x 30"
N1818	18" x 18"	n/a	21" x 24"

*NOTE: When ordering, please indicate right or left drainboard



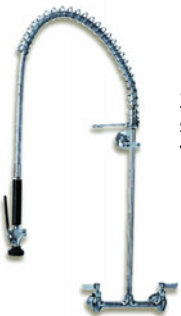
Both stock and custom designed fabricated stainless steel sinks available to meet your requirements, including the popular space saving "L" shape. Please call and we'll help determine the right sink for you.

Accessories available at time of order:

- Lever drains (turn handle rather than conventional plug)
- Corner drain, stand pipe and vertical perforated removable strainers
- Corner drain with stand pipe overflow
- Stainless steel legs in place of galvanized
- Stainless steel legs with cross brace in place of galvanized
- Flat end splash returns (for against wall)
- Enclosed end splash returns up to 18" high
- Wall mount splash guards (separates existing sinks, sinks from work tables or equipment, etc. - custom made, specify dimensions)

FAUCETS

Domestic made low lead Fisher Faucets



PRE-RINSE UNIT

2210WB..... Pre-rinse, spring-8" adjustable wall control valve, ultra spray, wall bracket

ADD-ON FAUCET

29016 6" swing spout
290112 12" swing spout
290116 16" swing spout



BACKSPLASH MOUNT FAUCET

325210 10" swing spout
325312 12" swing spout
325414 14" swing spout



Large choice of faucets available on request. Including: pre-rinse (spring style, swivel style, ultra flex style), utility spray, pot fillers, gooseneck, lavatory, pot/kettle fillers, janitor, etc.



70