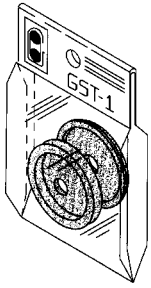


SLICER PARTS

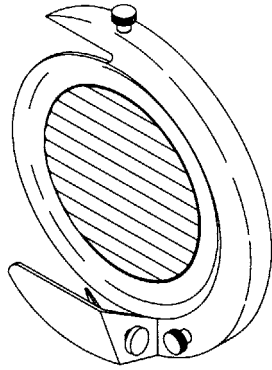
Most parts readily available. Please call for parts needed that are not illustrated.

REPLACEMENT PARTS FOR GLOBE SLICING MACHINES

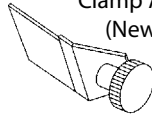
FOR USE WITH
Globe
SLICING MACHINES



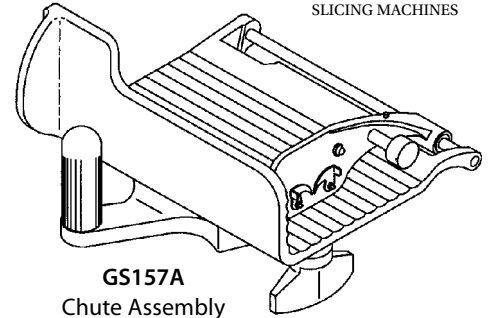
GST1
Sharpener
Stones



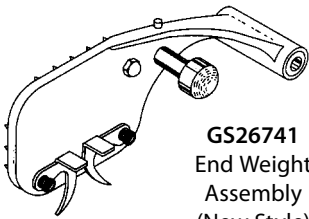
GS170A
Knife Guard Assembly
(Does not include
Center Plate Support)



GS48A
Knife Scraper &
Clamp Assembly
(New Style)



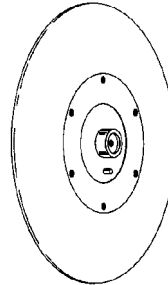
GS157A
Chute Assembly
Complete



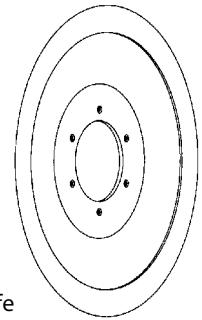
GS26741
End Weight
Assembly
(New Style)



GS23832
Center Plate Screw
(25/pkg)



GS123843
Center Plate Support
8 $\frac{3}{8}$ " O.D.



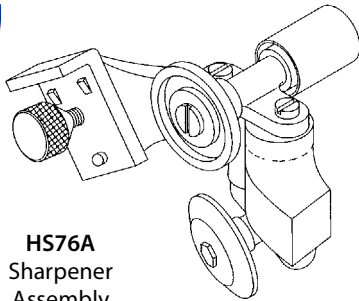
GSK3
Solid Knife
Stainless Steel
11 $\frac{1}{2}$ " Diameter

Item Number	Description	FITS MODELS																				
		75	150	285	300	400	500	510	610	660	685	710	715	720	725	760	765	770	775	815	820	825
GST1	Sharpener Stones	-	X	X	X	X	XL	-	X	X	X	X	X	X	XL	X	X	X	XL	X	X	XL
GS170A	Knife Guard Assembly (Does not include center plate support)	-	-	-	X	X	XL	-	-	-	-	-	X	XL	-	-	X	XL	-	-	XL	
GS48A	Knife Scraper & Clamp Assembly (N/S)	-	X	X	X	X	XL	-	X	X	X	X	X	XL	X	X	X	XL	X	X	XL	
GS157A	Chute Assembly Complete	-	X	X	X	X	XL	-	X	X	X	X	X	XL	X	X	X	XL	X	X	XL	
GS26741	End Weight Assembly (New Style)	-	-	X	X	X	XL	-	-	-	X	-	X	XL	-	X	X	XL	X	X	XL	
GS23832	Center Plate Screw (25/pkg.)	X	X	X	X	X	XL	X	X	X	X	X	X	XL	X	X	X	XL	X	X	XL	
GS123843	Center Plate Support	-	-	-	X	X	XL	-	-	-	-	-	X	XL	-	-	X	XL	-	X	XL	
GSK3	Solid Knife (Stainless Steel)	-	-	X	X	XL	-	-	-	X	-	X	XL	-	X	X	XL	X	X	XL		

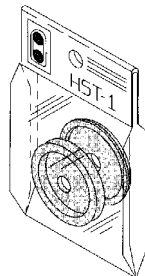
X = Fits Regular Model Version L = "L" Model Version

REPLACEMENT PARTS FOR HOBART SLICING MACHINES

FOR USE WITH
HOBART
SAWS

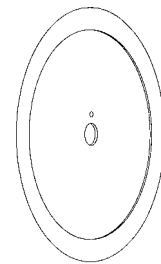


HS76A
Sharpener
Assembly



HST1
Sharpener
Stones

HSK1
Slicer Knife
Stainless Steel
11 $\frac{3}{4}$ " Diameter



Item Number	Description	FITS MODELS						
		411	512	1512	1612	1712	1812	1912
HS76A	Sharpener Assembly	-	X	-	X	X	-	-
HST1	Sharpener Stones	X	X	X	X	X	-	-
HSK1	Slicer Knife Stainless Steel	-	-	-	X	X	X	X