

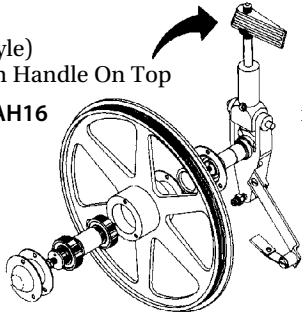
BAND SAW PARTS

Many parts are interchangeable. Please check reference chart to make sure wheels and wheel assemblies are compatible with your model of saw.

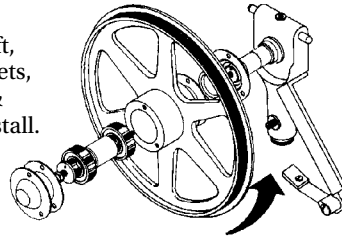
REPLACEMENT PARTS FOR BUTCHER BOY SAWS

UPPER WHEEL

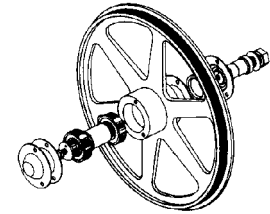
(Old Style)
Tension Handle On Top
BB086AH16



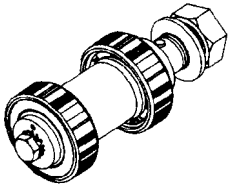
Upper wheel assemblies
With Hangers are
complete with shaft,
bearings, seals, gaskets,
spacer, hub cap &
retainer - ready to install.



BB103AH16
(New Style)
Tension Handle Below



BB107A
BB082A149
BB080A169
Upper Wheel Assembly
No Hangers



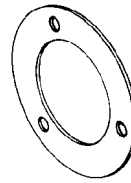
BB019A7
Shaft & Bearing Assembly
with Metal Shields



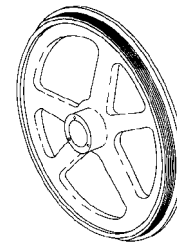
BBUMB
Upper Main Bearing
with 1 Metal Shield
(Requires 2 per Set)



BB05241D
Upper & Lower
Shaft Seal



BB05141C
Shaft Gasket



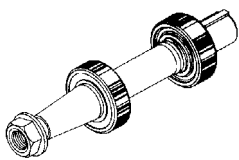
BB105U
BB082149
BB080169
Upper Wheel Only

Saw Model#	Shaft & Bearing Assy with Metal Shields	Wheel Only	Wheel Assembly with Hanger	Wheel Assembly No Hanger
B12	BB019A7	BB105U	BB108AH12	BB107A
B14	BB019A7	BB082149	BB085AH14	BB082A149
B16	BB019A7	BB080169	BB086AH16/(New) BB103AH16	BB080A169
1435	BB019A7	BB082149	BB085AH14	BB082A149
1640	BB019A7	BB080169	BB103AH16	BB080A169
COBRA 14	BB019A7	BB082149	BB085AH14	BB082A149
COBRA 16	BB019A7	BB080169	BB103AH16	BB080A169

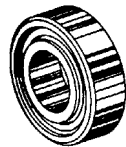
REPLACEMENT PARTS FOR BUTCHER BOY SAWS

LOWER WHEEL

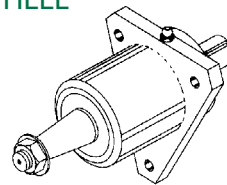
FOR USE WITH
Butcher Boy
SAWS



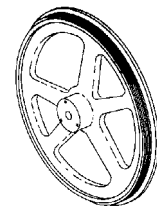
BB020A23
Lower Shaft Assembly
with Metal Shields



BBLMB
Lower Main Bearing
with 1 Metal Shield
(Requires 2 per set)



BB123A
Lower Main Bearing Housing Assembly.
Includes bearings, shaft, grease, retaining
rings, seal, nut, washer & square key

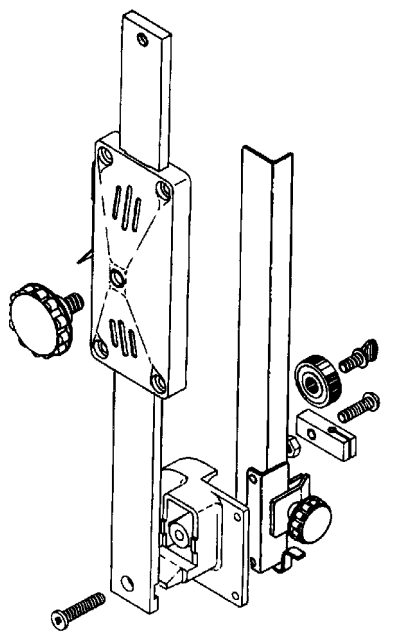


BB106L
BB0831410
BB0811610
Lower Wheel Only

Saw Model#	Shaft & Bearing Assy with Metal Shields	Wheel Assembly with Hanger	Wheel Only
B12	BB020A23	BB123A	BB106L
B14	BB020A23	BB123A	BB0831410
B16	BB020A23	BB123A	BB0811610
1435	BB020A23	BB123A	BB0831410
1640	BB020A23	BB123A	BB0811610
COBRA 14	BB020A23	BB123A	BB0831410
COBRA 16	BB020A23	BB123A	BB0811610

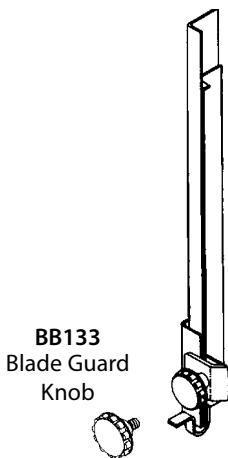
Many parts are interchangeable. Please check reference chart to make sure part is compatible with your model of saw.

REPLACEMENT PARTS FOR BUTCHER BOY SAWS



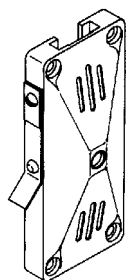
BB099A14

Adjusting Bar Guide Assembly Complete with Guide & Roller Mount Assembly Bar Length: 18½"



BB133
Blade Guard Knob

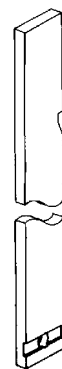
BB02439/NS
Blade Guard



BB09514A
Adjusting Bar Guide with Spring Lock



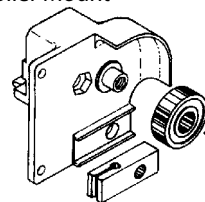
BB09637A
Adjusting Bar Guide Knob



BB04738A/16
Blade Support Adjusting Bar
B16 Length: 18½"

FOR USE WITH
Butcher Boy
SAWS

BB04640
Adjusting Guide & Roller Mount



BBSGB
Saw Guide Bearing with Metal Shields

BB00353V
Upper Saw Guide with "V" Front

BB02952A
Bearing Thumb Screw

Item Number Description

BB099A14	Adjusting Bar Guide Assembly
BB04738A/16	Blade Support Adjusting Bar
BB133	Blade Guard Knob
BB02439/NS	Blade Guard
BB09514A	Adjusting Bar Guide with Spring Lock
BB09637A	Adjusting Bar Guide Knob
BB04640	Adjusting Guide & Roller Mount
BBSGB	Saw Guide Bearing with Metal Shields
BB00353V	Upper Saw Guide with "V" Front
BB02952A	Bearing Thumb Screw

FITS MODELS

	B12	B14	B16	1435	1640	COBRA		SA20
						14	16	
BB099A14	X	X	X	X	X	-	X	-
BB04738A/16	-	-	X	-	-	-	-	-
BB133	X	X	X	X	X	-	X	-
BB02439/NS	X	X	X	X	X	-	-	-
BB09514A	X	X	X	-	-	-	X	-
BB09637A	X	X	X	-	-	-	X	-
BB04640	X	X	X	-	-	-	X	-
BBSGB	X	X	X	X	X	-	-	-
BB00353V	X	X	X	X	X	X	X	-
BB02952A	X	X	X	X	X	-	-	-

Please call for parts needed that are not illustrated. Parts readily available include: Wheel, shaft & bearing assemblies, cleaner assemblies, as well as individual component parts.



SPRAY BOTTLE

Adjust-O-Spray trigger poly spray bottle. Applications: food equipment oil, cleaners, sanitizers, etc. Capacity: 22 oz.

922H..... Poly Spray Bottle

FOOD GRADE GREASE

Premium food grade white EP bearing grease. Authorized by USDA for use in federally inspected meat and poultry plants; FDA regulation No. 21 CFR 178.3570. Applications: Anti-friction bearings, plain bearings, guides, slides, joints, grease lubricated chains, gears and cams.

- Contains mineral oil
- Resists water washout
- 0 deg to 300 deg F

FGG14 One 14.1 oz Tube



FOOD EQUIPMENT OIL

Lubricates and protects food machinery and parts. Use on meatsaws, grinders and choppers, tenderizers, slicers, patty machines, etc. Simply spray all food machinery after cleaning and it makes your next clean up job fast and easy.

LO128 1 Gallon
LO1284 1 Case (4/1 gal.) **\$\$**

This Chevron Superla White Mineral Oil 7A is acceptable as a 3-H lubricant with incidental food contact. Oil is an odorless, tasteless, fluid at low temperatures and transparent. Conforms to the rigid standards of the National Formulary and in all respects with the requirements of FDA regulation 121.1146. Authorized for use under USDA poultry, meat, rabbit and egg products inspection program.

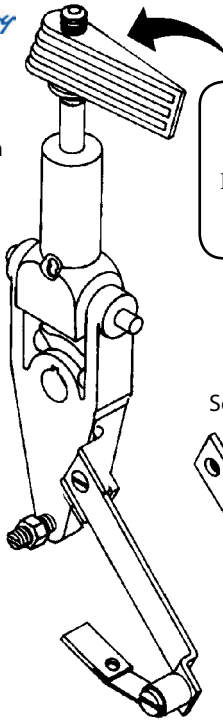
BAND SAW PARTS

Please call for parts needed that are not illustrated. Most parts readily available including: wheel, shaft and bearing assemblies, cleaner assemblies etc. as well as individual component parts.

REPLACEMENT PARTS FOR BUTCHER BOY SAWS

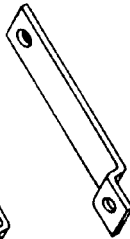
FOR USE WITH
Butcher Boy
SAWS

BB087A18
B16 Tension
Hanger
Assembly

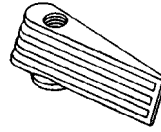


Note:
"OLD" B16 -
Tension
Handle located
on top of
Upper Wheel

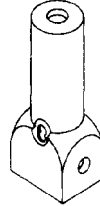
BB04834/16
Upper Wheel
Scraper Arm - B16



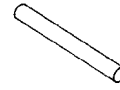
BB01430A
Tension Handle



BB07331A
Tension Gauge
Housing

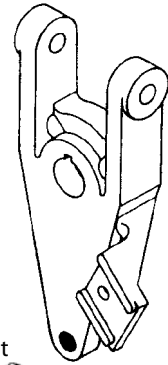


BB07431C/16
Rod & Indicator
Assembly

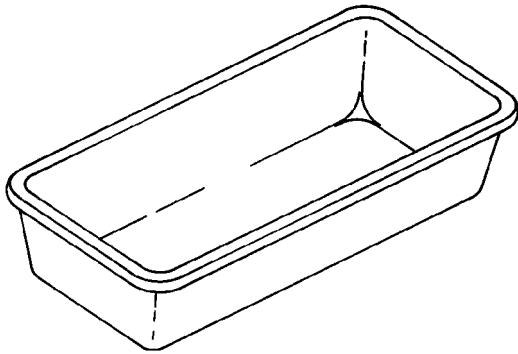


BB07631D
Tension Gauge Pin

BB0718A
Upper Wheel
Hanger

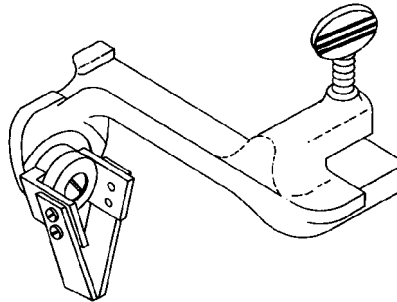


BB05335
Adjusting
Screw & Nut

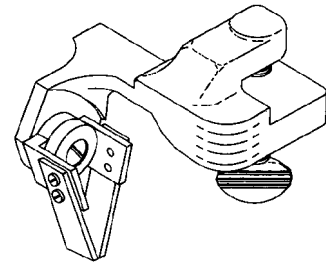


BB0907016
Bone Dust Pan - B16
21" x 8" x 3"

BB0917014
Bone Dust Pan - B14
19" x 8" x 3"



BB045A17A
Rear Scraper Assembly
(New Style)



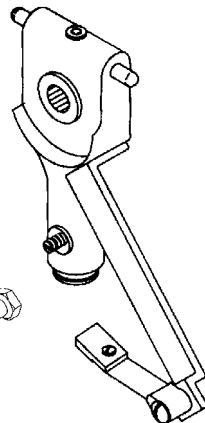
BB065A95
Rear Scraper Assembly

Item Number	Description	FITS MODELS							
		B12	B14	B16	1435	1640	14 COBRA	16	SA20
BB087A18	B16 Tension Hanger Assembly	-	-	OLD	-	-	-	-	-
BB04834/16	Upper Wheel Scraper Arm - B16	-	-	OLD	-	-	-	-	-
BB01430A	Tension Handle	X	X	OLD	X	-	X	-	-
BB07331A	Tension Gauge Housing	X	X	OLD	X	-	X	-	-
BB07431C/16	Rod & Indicator Assembly	-	-	OLD	-	-	-	-	-
BB07631D	Tension Gauge Pin	X	X	OLD	X	X	X	X	-
BB0718A	Upper Wheel Hanger	X	X	OLD	X	-	X	-	-
BB05335	Adjusting Screw & Nut	-	-	-	X	X	X	-	-
BB0907016	Bone Dust Pan - B16, 21" x 8" x 3"	-	-	X	-	X	-	X	-
BB0917014	Bone Dust Pan - B14, 19" x 8" x 3"	-	X	-	X	-	X	-	-
BB045A17A	Rear Scraper Assembly (New Style)	X	X	X	-	-	-	-	-
BB065A95	Rear Scraper Assembly	-	-	-	-	-	X	X	-


Many parts are interchangeable. Please check reference charts to make sure parts are compatible with your model of saw.

REPLACEMENT PARTS FOR BUTCHER BOY SAWS

BB102A
Upper Wheel Hanger -
New Style (Complete with
Tension Gauge Indicator,
Spring & Cleaner Arm
Assembly)

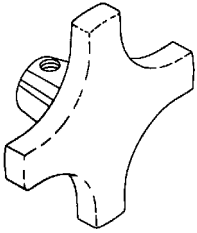


BB112
Threaded Sleeve

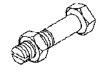


FOR USE WITH
Butcher Boy
SAWS


BB035
Door Knob



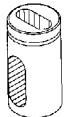
BB111
Wheel Adjusting
Screw & Nut



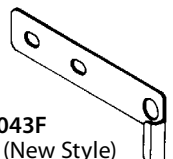
BB07531E
Tension Gauge
Spring



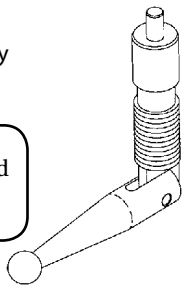
BB110
Tension Gauge
Indicator



BB0043F
Door Latch (New Style)

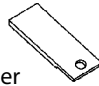


BB101A
Rod & Indicator Assembly
New Style B16

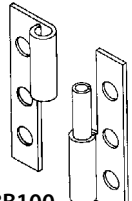


Note: "NEW" B16 -
Tension Handle located
below Upper Wheel

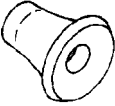
BB00533
Wheel Scraper



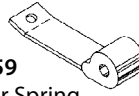
BB100
Door Hinge Set,
Stainless



BB0973D
Door Pull Guide Knob



BB03959
Wheel Scraper Spring



Item Number	Description	FITS MODELS							
		B12	B14	B16	1435	1640	14 COBRA	16	SA20
BB102A	Upper Wheel Hanger (New Style)	-	-	NEW	-	X	-	X	-
BB111	Wheel Adjusting Screw & Nut	-	-	NEW	-	X	-	X	X
BB101A	Rod & Indicator Assembly (New Style B16)	-	-	NEW	-	X	-	X	-
BB112	Threaded Sleeve	-	-	NEW	-	X	-	X	X
BB07531E	Tension Gauge Spring	X	X	NEW	X	X	X	X	X
BB110	Tension Gauge Indicator	-	-	NEW	-	X	-	X	X
BB00533	Wheel Scraper	X	X	NEW	X	X	X	X	X
BB03959	Wheel Scraper Spring	X	X	NEW	X	X	X	X	X
BB035	Door Knob	-	-	-	-	-	X	X	-
BB0043F	Door Latch (New Style)	X	X	X	-	-	-	-	-
BB100	Door Hinge Set, Stainless	X	X	X	-	-	-	-	-
BB0973D	Door Pull Guide Knob	X	X	X	-	-	-	-	-

BUTCHER BOY REPAIR KIT

FOR USE WITH
Butcher Boy
SAWS

Repair kit for models:
B12, B14 and B16

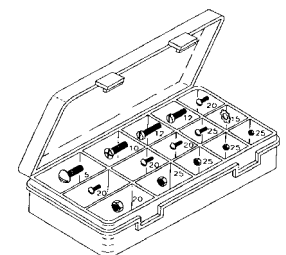
BBRK1 Butcher Boy Repair Kit
Kit Includes:


- 2 Saw Guide Bearing
- 1 Lower Saw Guide
- 1 Upper Saw Guide
- 2 Bearing Thumb Screw
- 3 Filler Block
- 1 End Catch
- 2 Blade Cleaner (Steel)
- 2 Bumper
- 2 Wheel Cleaner
- 2 Blade Cleaner (Fiber)

HARDWARE KIT

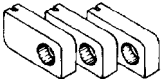
Kit consists of 279 stainless steel nuts, bolts, screws and washers in a break resistant plastic container.

BBRK5 Hardware repair kit for all models

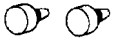




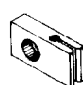
BBSGB
Saw Guide Bearing




BB00120
Filler Block




BB00946A
Bumper



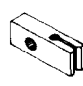
BB00221V
Lower Saw Guide




BB00768
End Catch



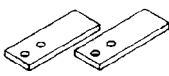
BB00533
Wheel Cleaner




BB00353V
Upper Saw Guide



BB00673S
Blade Cleaner (Steel)



BB00673F
Blade Cleaner (Fiber)



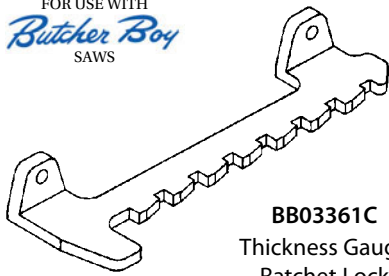
BB02952A
Bearing Thumb Screw

BAND SAW PARTS

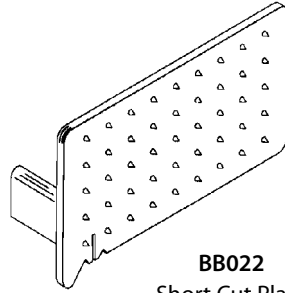
Please call for parts needed that are not illustrated. Most parts readily available including: wheel, shaft and bearing assemblies, cleaner assemblies etc. as well as individual component parts.

REPLACEMENT PARTS FOR BUTCHER BOY SAWS

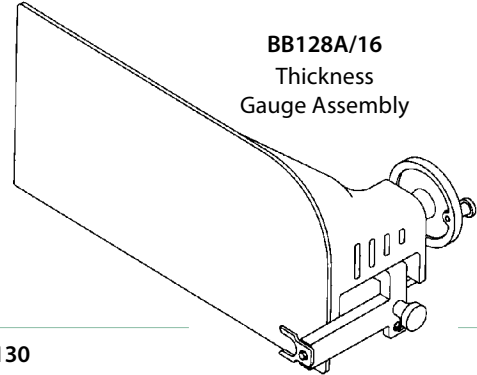
FOR USE WITH
Butcher Boy
SAWS



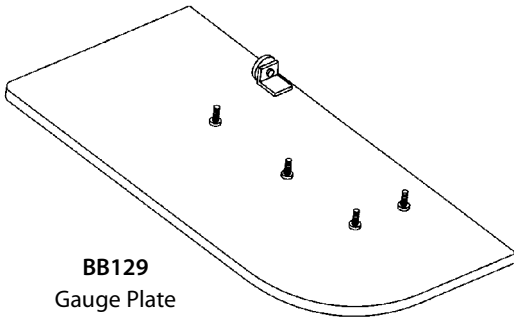
BB03361C
Thickness Gauge
Ratchet Lock



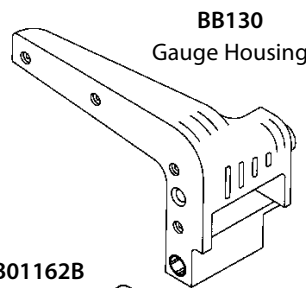
BB022
Short Cut Plate



BB128A/16
Thickness
Gauge Assembly



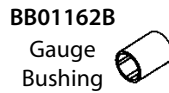
BB129
Gauge Plate



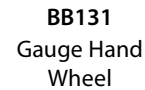
BB130
Gauge Housing



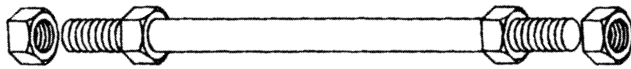
**Aluminum
Knob**



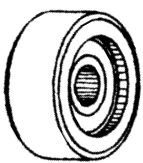
BB01162B
Gauge
Bushing



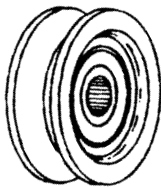
BB131
Gauge Hand
Wheel



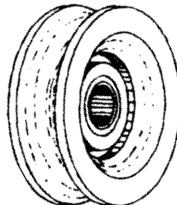
BB127A
Table Bearing Axle & Nuts



BB00811F
Table Roller
Flat



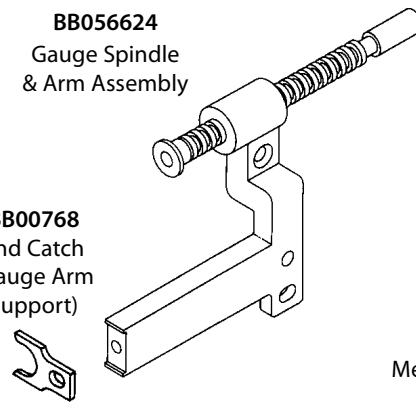
BB00811V
Table Roller
"V" Groove



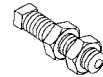
BB00811U
Table Roller
"U" Groove

BB056624
Gauge Spindle
& Arm Assembly

BB00768
End Catch
(Gauge Arm
Support)



BB09863
Gauge Lock
Knob



BB06163
Measuring Arm
Lock Stud

Item Number	Description
BB03361C	Thickness Gauge Ratchet Lock
BB022	Short Cut Plate
BB128A/16	Thickness Gauge Assembly
BB129	Gauge Plate
BB130	Gauge Housing
BB01162B	Gauge Bushing
BB131	Gauge Hand Wheel
BB127A	Table Bearing Axle & Nuts
BB00811F	Table Roller Flat
BB00811V	Table Roller "V" Groove
BB00811U	Table Roller "U" Groove
BB056624	Gauge Spindle & Arm Assembly
BB00768	End Catch (Gauge Support Arm)
BB09863	Gauge Lock Knob
BB06163	Measuring Arm Lock Stud

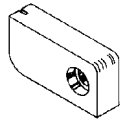
		FITS MODELS					COBRA		
		B12	B14	B16	1435	1640	14	16	SA20
BB03361C	Thickness Gauge Ratchet Lock	X	X	X	X	X	X	X	-
BB022	Short Cut Plate	X	X	X	X	X	X	X	-
BB128A/16	Thickness Gauge Assembly	X	X	X	X	X	X	X	-
BB129	Gauge Plate	X	X	X	X	X	X	X	-
BB130	Gauge Housing	X	X	X	X	X	X	X	-
BB01162B	Gauge Bushing	X	X	X	X	X	X	X	-
BB131	Gauge Hand Wheel	X	X	X	X	X	X	X	-
BB127A	Table Bearing Axle & Nuts	X	X	X	X	X	-	-	-
BB00811F	Table Roller Flat	X	X	X	X	X	-	-	X
BB00811V	Table Roller "V" Groove	X	X	X	X	X	-	-	X
BB00811U	Table Roller "U" Groove	X	X	X	X	X	-	-	X
BB056624	Gauge Spindle & Arm Assembly	X	X	X	X	X	X	X	-
BB00768	End Catch (Gauge Support Arm)	X	X	X	X	X	X	X	-
BB09863	Gauge Lock Knob	X	X	X	X	X	X	X	-
BB06163	Measuring Arm Lock Stud	X	X	X	X	X	X	X	-



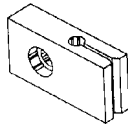
56

Many parts are interchangeable. Please check reference charts to make sure parts are compatible with your model of saw.

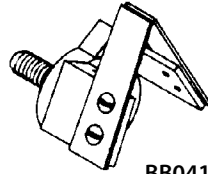
REPLACEMENT PARTS FOR BUTCHER BOY SAWS



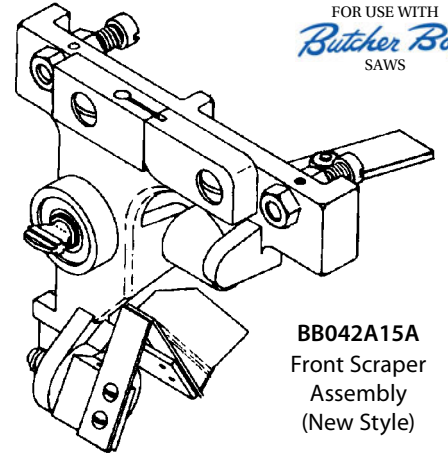
BB00120
Filler Block (Nylon)
BB118
Filler Block (Fiber)



BB00221V
Lower Saw Guide with "V" Front



BB041A66F
Blade Scraper Holder Assembly (Fiber)

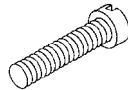


FOR USE WITH
Butcher Boy
SAWS

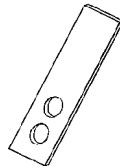
BB042A15A
Front Scraper Assembly (New Style)



BB001A20A/S
Filler Stud (Short)



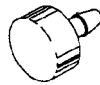
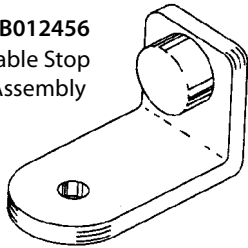
BB001A20A/L
Filler Stud (Long)



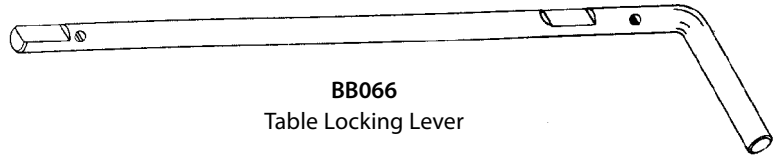
BB00673F
Blade Cleaner (Fiber)

BB00673S
Blade Cleaner (Steel)

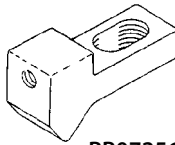
BB012456
Table Stop Assembly



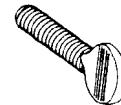
BB00946A
Bumper



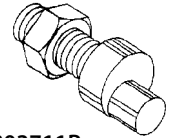
BB066
Table Locking Lever



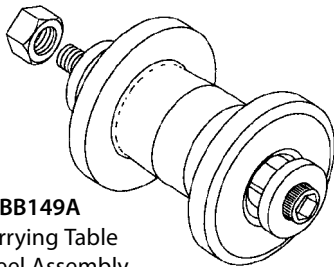
BB07256F
Lever Adjusting Lock



BB02556C
Table Thumb Screw



BB03711B
Table Holding Pin



BB149A
Carrying Table Wheel Assembly - Wheel, Bearing & Axle



BB115A16
Gauge Rod - New Style
Length: 19½"

Item Number	Description
BB00120	Filler Block (Nylon)
BB118	Filler Block (Fiber)
BB00221V	Lower Saw Guide with "V" Front
BB041A66F	Blade Scraper Holder Assembly (Fiber)
BB001A20A/S	Filler Stud (Short)
BB001A20A/L	Filler Stud (Long)
BB00673F	Blade Cleaner (Fiber)
BB00673S	Blade Cleaner (Steel)
BB042A15A	Front Scraper Assembly (New Style)
BB012456	Table Stop Assembly
BB00946A	Bumper
BB149A	Carrying Table Wheel Assembly - Wheel, Bearing & Axle
BB066	Table Locking Lever
BB07256F	Lever Adjusting Lock
BB02556C	Table Thumb Screw
BB03711B	Table Holding Pin
BB115A16	Gauge Rod (New Style)

FITS MODELS

	B12	B14	B16	1435	1640	COBRA		SA20
						14	16	
BB00120	-	X	X	X	X	X	X	X
BB118	X	X	X	X	X	X	X	-
BB00221V	X	X	X	X	X	X	X	X
BB041A66F	X	X	X	X	X	X	X	X
BB001A20A/S	X	X	X	X	X	X	X	-
BB001A20A/L	X	X	X	X	X	X	X	-
BB00673F	X	X	X	X	X	X	X	X
BB00673S	X	X	X	X	X	X	X	X
BB042A15A	X	X	X	X	X	X	X	-
BB012456	X	X	X	X	X	-	-	X
BB00946A	X	X	X	X	X	-	-	X
BB149A	-	-	-	-	-	X	X	-
BB066	-	-	X	-	X	-	X	-
BB07256F	X	X	X	X	X	-	-	-
BB02556C	X	X	X	X	X	-	-	-
BB03711B	X	X	X	X	X	X	X	-
BB115A16	-	-	X	-	X	-	X	-

BAND SAW PARTS

REPLACEMENT PARTS FOR BIRO SAWS



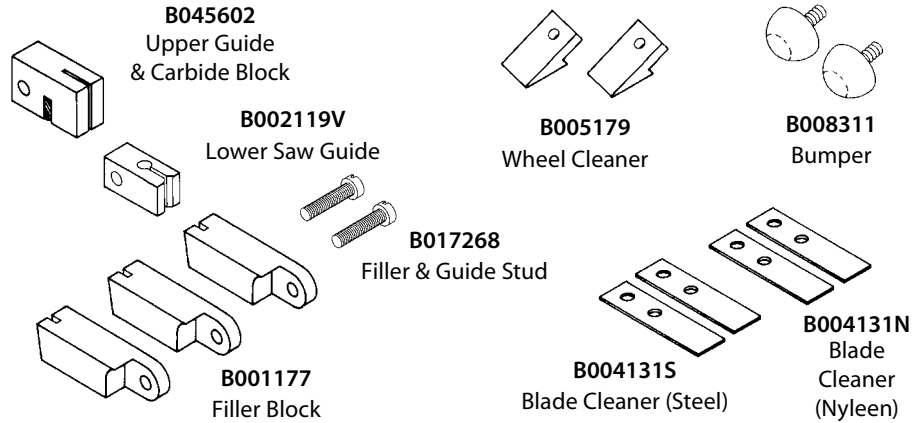
Models 1433 and 3334

MAINTENANCE/REPAIR KIT

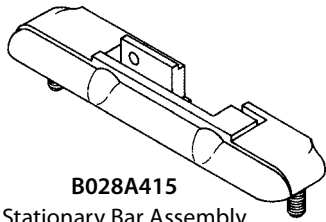
BRK2 Biro Repair Kit

Kit Includes:

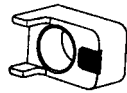
- 1 Upper Guide & Carbide Block
- 1 Lower Saw Guide
- 3 Filler Blocks
- 2 Filler & Guide Studs
- 2 Wheel Cleaners
- 2 Bumpers
- 2 Blade Cleaner (Steel)
- 2 Blade Cleaner (Nyleen)



Order complete Maintenance/Repair kit or individual parts as needed. See part numbers above.



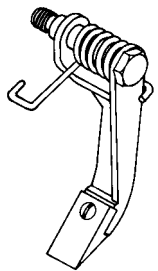
B028A415
Stationary Bar Assembly
(Not For 1433 Saw)



B047605
Lower Carbide Block

B095
Blade Guide - 1433
Stainless Steel

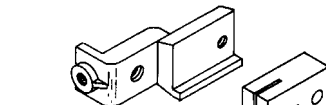
B155
Guide Bar
Stop Stud



B009A295
Cleaning Arm Assembly



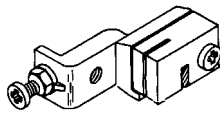
B022229
Cleaner Arm Spring



B055601
Upper Guide
Bracket



B045602
Upper Guide &
Carbide Block



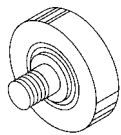
B055A601
Upper Guide &
Bracket Assembly

B092

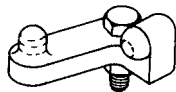
Blade Guard - 3334
Stainless Steel

B031193
Saw Guide
Bar Spring

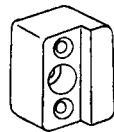
B074
Guide Bar



B020159
Table Bearing (1 7/16" dia.)



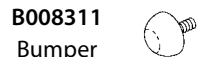
B038A200
Swivel Stop Assembly



B006175
Thumb Guard

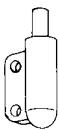


B065200
Swivel Stop



B008311
Bumper

B090331
Platter Bumper



B06114
Door Hinge

B141
Tension
Spring Gauge

B140
Tension
Spring

B139
Tension
Spring Pin

B075
Tension
Spring Plate

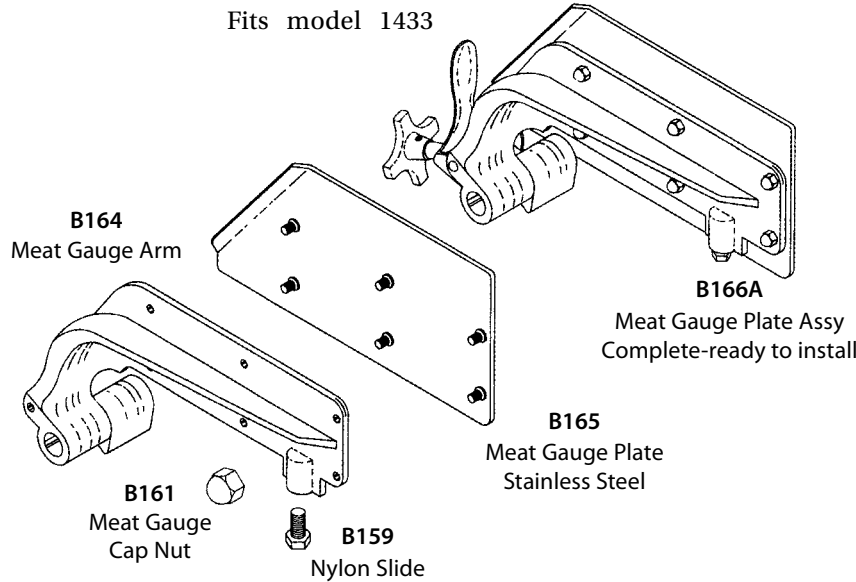
B136A
Ratchet Arm
Assembly Complete

BAND SAW PARTS

Please call for parts needed that are not illustrated. Most parts readily available including: wheel, shaft and bearing assemblies, cleaner assemblies etc. as well as individual component parts.

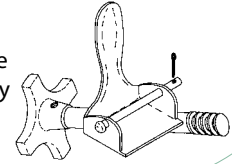
REPLACEMENT PARTS FOR BIRO SAWS

FOR USE WITH
BIRO
SAWS



Fits models 1433 & 3334

B152A
Meat Gauge
Release Assy



Fits models
1433 & 3334

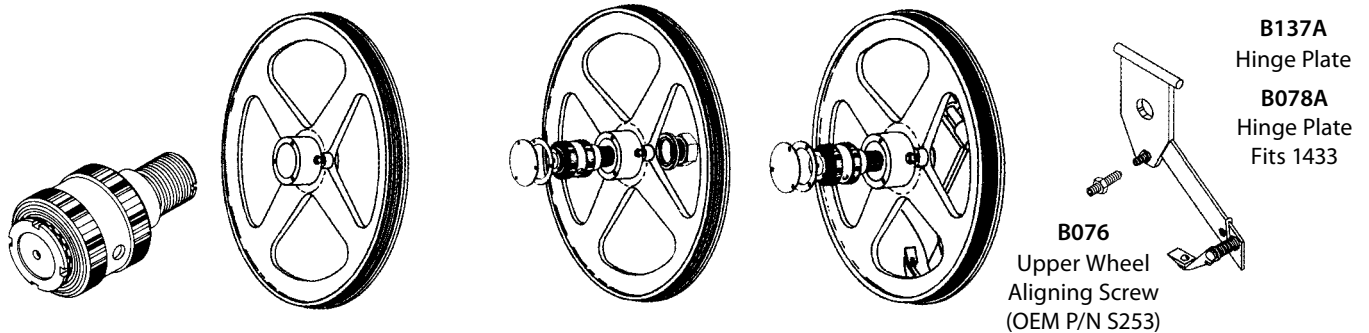
B011265
Meat Gauge
Spring



For Models 1433 and 3334

SHAFT & WHEEL ASSEMBLIES

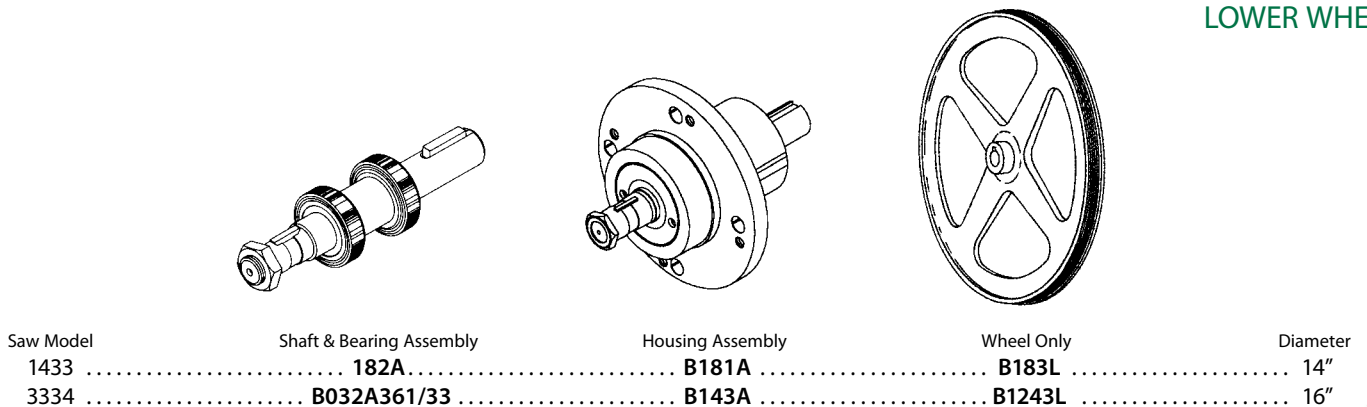
UPPER WHEEL



Saw Model	Shaft & Bearing Assembly	Wheel Only	Diameter	*Wheel with Shaft Bearing	*Wheel with Shaft Bearing & Hinge	Hinge Plate
1433	B033A247	B167U	14"	B168AU	B169A	B078A
3334	B033A247	B1243U	16"	B124A3U	B138A	B137A

*Complete with Wheel, Shaft, Bearings, Seal, Gaskets, Spacer, Hub Cap & Retainer

LOWER WHEEL

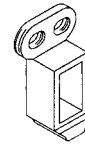
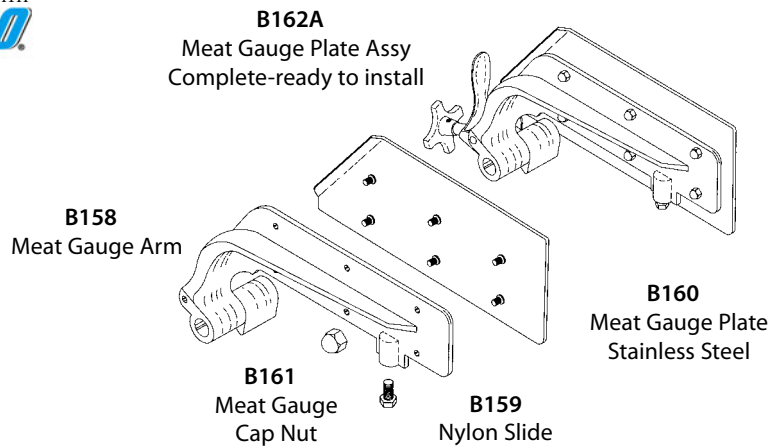


Saw Model	Shaft & Bearing Assembly	Housing Assembly	Wheel Only	Diameter
1433	182A	B181A	B183L	14"
3334	B032A361/33	B143A	B1243L	16"

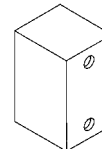
BAND SAW PARTS

BIRO SAW PARTS

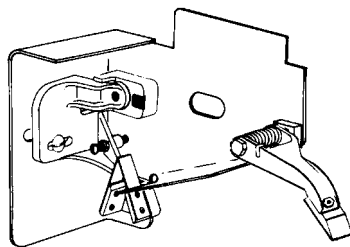
For Model 3334



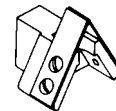
B144
Cleaner Bracket Holder
Fits all except 1433



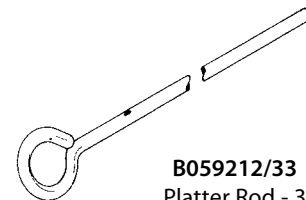
B016334
Saw Rider



B018AC
Cleaning Unit Assembly Complete
with Carbide Block



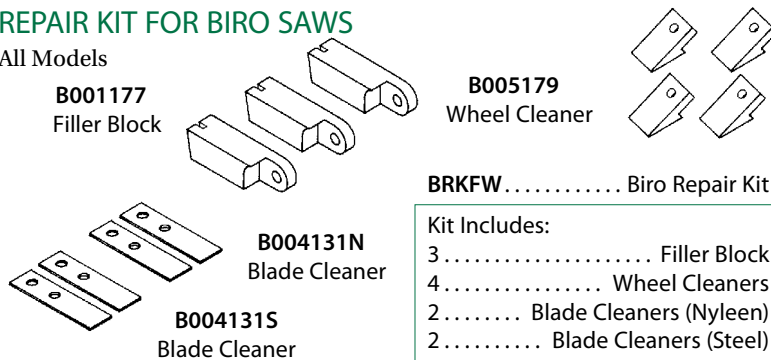
B024A130/N
Blade Scraper Bracket
with Cleaners (Nyleen)



B059212/33
Platter Rod - 33
Length = 17"

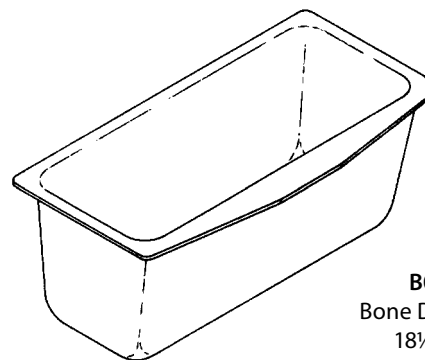
REPAIR KIT FOR BIRO SAWS

All Models



BRKFW Biro Repair Kit

- Kit Includes:
- 3 Filler Block
 - 4 Wheel Cleaners
 - 2 Blade Cleaners (Nyleen)
 - 2 Blade Cleaners (Steel)



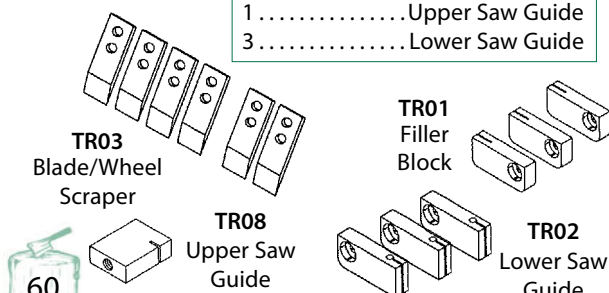
B0833334
Bone Dust Pan - 3334
18 1/2" x 10" x 7"

REPAIR KIT FOR TOR-REY SAWS



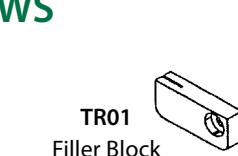
TRRK2 Tor-rey Repair Kit

- Kit Includes:
- 6 Blade/Wheel Scraper
 - 3 Filler Block
 - 1 Upper Saw Guide
 - 3 Lower Saw Guide

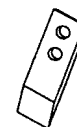


REPLACEMENT PARTS FOR TOR-REY SAWS

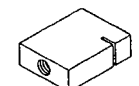
Model ST295
FOR USE WITH
TOR-REY
SAWS



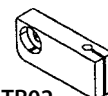
TR01
Filler Block



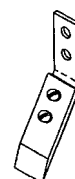
TR03
Blade/Wheel
Scraper



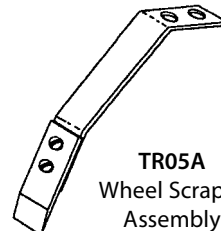
TR08
Upper Saw Guide



TR02
Lower Saw Guide



TR07A
Blade Scraper
Assembly



TR05A
Wheel Scraper
Assembly

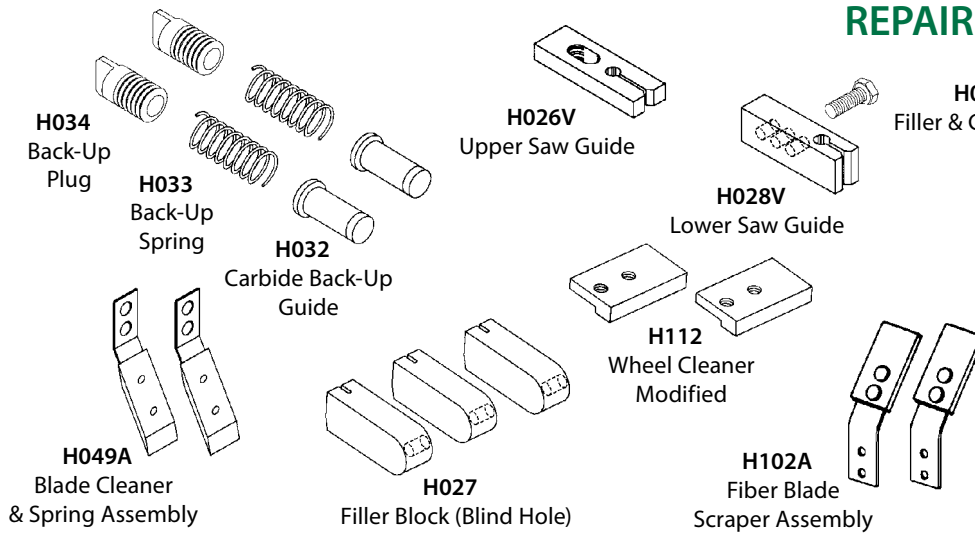


BAND SAW PARTS

Please call for parts needed that are not illustrated. Most parts readily available including: wheel, shaft and bearing assemblies, cleaner assemblies etc. as well as individual component parts.

REPAIR KIT FOR HOBART SAWS

Models 5216 & 5514



HRK1..... Hobart Repair Kit

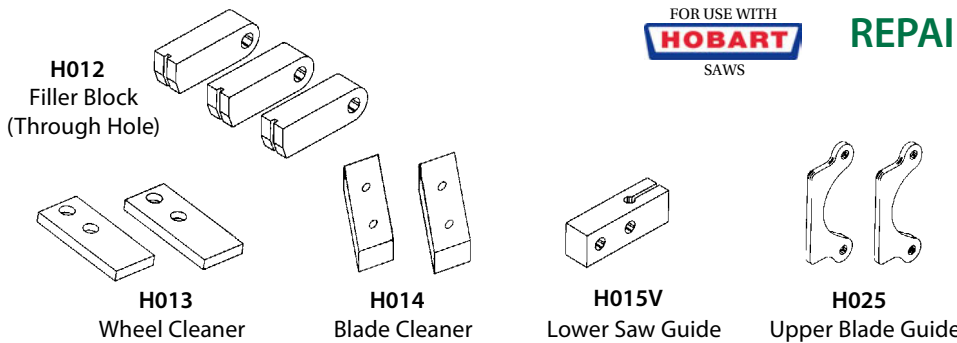
Kit Includes:

- 2 Back-Up Plug
- 2 Back-Up Spring
- 2 Carbide Back-Up Guide
- 1 Upper Saw Guide
- 1 Lower Saw Guide
- 1 Filler & Guide Stud
- 2 Blade Cleaner & Wheel Assy
- 3 Filler Block (Blind Hole)
- 2 Wheel Cleaner Modified
- 2 Fiber Blade Scraper Assy



REPAIR KIT FOR HOBART SAWS

Models 5014, 5016, 5114, 5116 & 5214



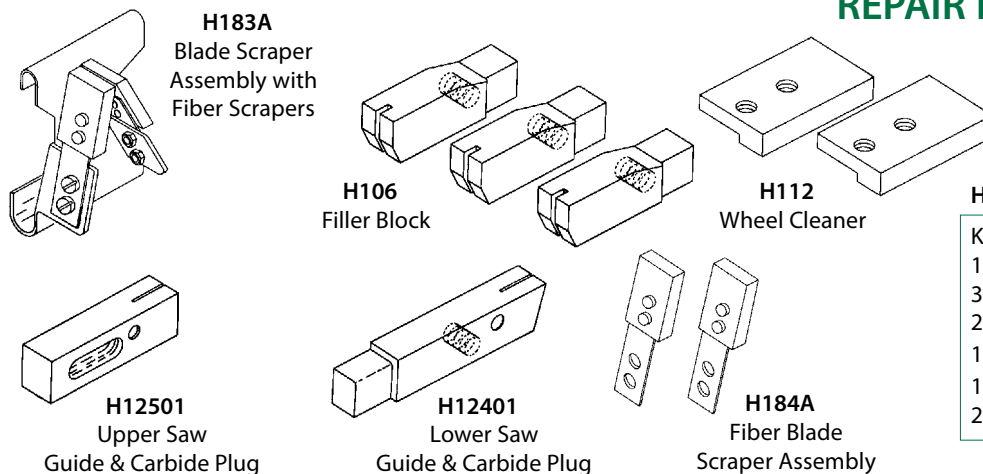
HRK2 Hobart Repair Kit

Kit Includes:

- 2 Blade Cleaner
- 2 Wheel Cleaner
- 1 Lower Saw Guide
- 3 Filler Block (Through Hole)
- 2 Upper Blade Guide

REPAIR KIT FOR HOBART SAWS

Models 5701, 5801



HRK6..... Hobart Repair Kit

Kit Includes:

- 1 Blade Scraper Assy. w/Fiber Scrapers
- 3 Filler Block
- 2 Wheel Cleaner
- 1 Upper Saw Guide & Carbide Plug
- 1 Lower Saw Guide & Carbide Plug
- 2 Fiber Blade Scraper Assembly



REPLACEMENT PARTS FOR HOBART SAWS

Models 5212, 5214, 5216, 5514 & 5614

Models 5114 & 5116

Models 5700, 5701 & 5801

